

# BLACKIT CAR TRAILER TOOLBOXES

Blackit Toolboxes - Reinforced structure - Injection Molding Polypropylene - Ergonomic handles with cylinder lock and dust cap - internal EPDM seal prevents dust and water ingress



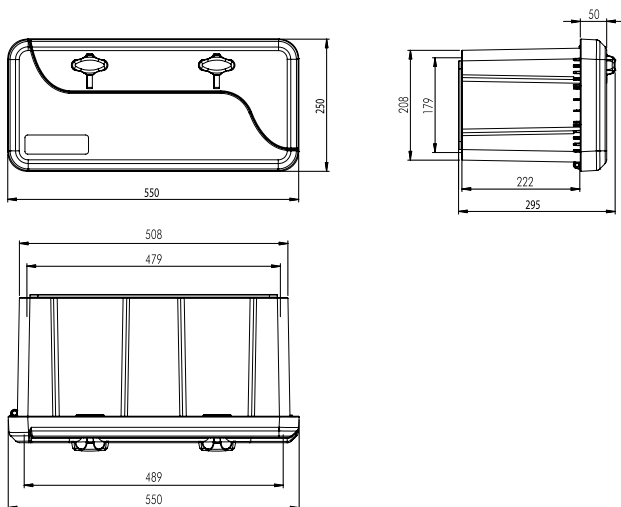
82201



82202



82203



## Blackit Toolbox Fitting Applications



Code	Opening	Dimensions mm			Weight kg
		L	H	D	
82201	Side	550	250	295	2.5
82202	Top	550	250	295	2.5
82203	Side	750	300	355	3.5