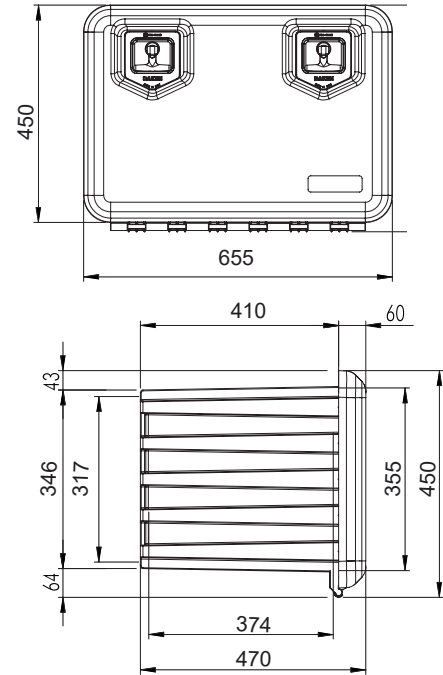


## ARKA TOOLBOX 74 Lt CAPACITY

Arka - Injection Moulded Polypropylene resin - Europlex Lock system - High impact resistance to stress or breakage - Resistant to Weather, UV rays & Water - 74 litre capacity.



Arka toolboxes are approved as lateral protection devices (LPD).  
The approval number for the toolboxes is: (E11) 73R-11168



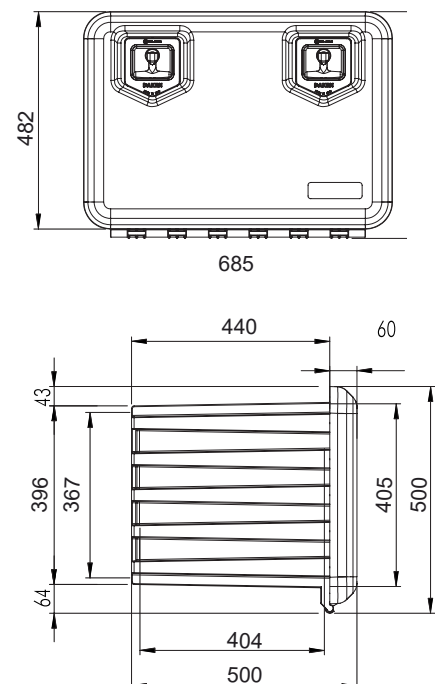
Code	Dimensions mm			Weight kg
	L	H	D	
81204	655	450	470	6.6
81204S	655	450	470 (with down struts)	6.6

## ARKA TOOLBOX 109 Lt CAPACITY

Arka - Injection Moulded Polypropylene resin - Europlex Lock system - High impact resistance to stress or breakage - Resistant to Weather, UV rays & Water - 109 litre capacity.



Arka toolboxes are approved as lateral protection devices (LPD).  
The approval number for the toolboxes is: (E11) 73R-11168

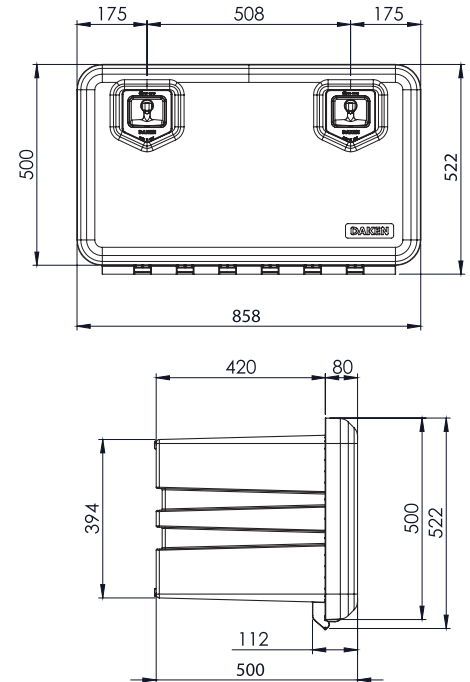


Code	Dimensions mm			Weight kg
	L	H	D	
81205	685	500	500	6.5
81205S	685	500	500 (with down struts)	6.5

## ARKA TOOLBOX 134 Lt CAPACITY

Arka - Injection Moulded Polypropylene resin - Europlex Lock system - High impact resistance to stress or breakage - Resistant to Weather, UV rays & Water - 134 litre capacity.

Arka toolboxes are approved as lateral protection devices (LPD).  
The approval number for the toolboxes is: **E11** 73R-11168

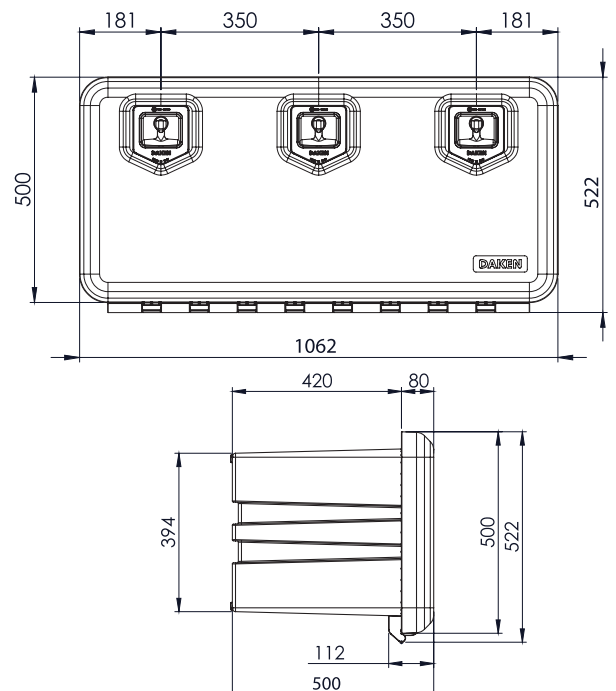


Code	Dimensions mm			Weight kg
	L	H	D	
81206	858	522	500	10.7
81206S	858 x 522 x 500 (with down struts)			10.7

## ARKA TOOLBOX 169 Lt CAPACITY

Arka - Injection Moulded Polypropylene resin - Europlex Lock system - High impact resistance to stress or breakage - Resistant to Weather, UV rays & Water - 169 litre capacity.

Arka toolboxes are approved as lateral protection devices (LPD).  
The approval number for the toolboxes is: **E11** 73R-11168

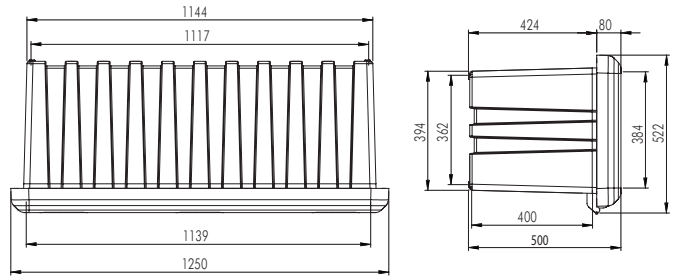
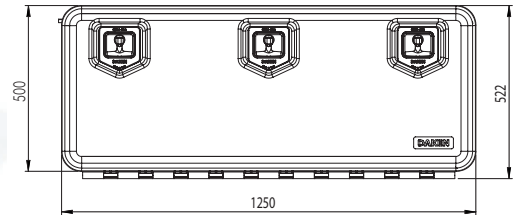


Code	Dimensions mm			Weight kg
	L	H	D	
81208	1062	522	500	13.2
81208S	1062 x 522 x 500 (with down struts)			13.2

# ARKA TOOLBOX 203 Lt CAPACITY

Arka - Injection Moulded Polypropylene resin - Europlex Lock system - High impact resistance to stress or breakage - Resistant to Weather, UV rays & Water - 203 litre capacity.

Arka toolboxes are approved as lateral protection devices (LPD).  
The approval number for the toolboxes is: (E11) 73R-11168



Code	Dimensions mm			Weight kg
	L	H	D	
81209	1250	522	500	15.5
81209S (with down struts)	1250	522	500	15.5

## ARKA TOOLBOX SHELVING

Toolbox Shelving and Divider Kits available on Arka range only.



Full length Shelf and vertical divider kit



2 Short Shelves and vertical divider kits

Code	For Arka Toolboxes Description
89560	Fitting clips
89561	Full length Shelf and vertical divider
89562	Short Shelf and vertical divider
89563	Vertical divider

