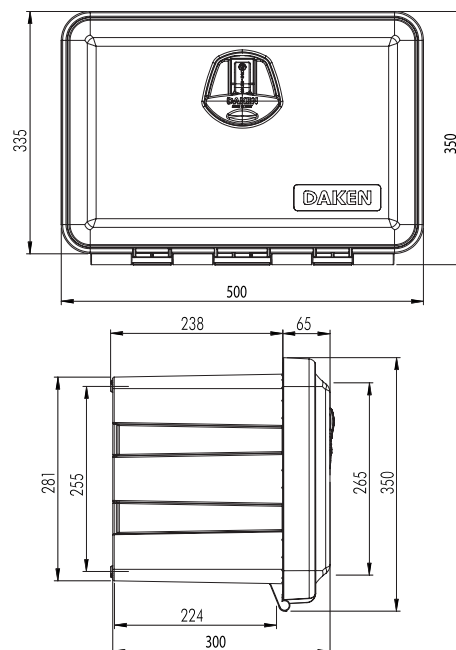


## JUST TOOLBOX 30 Lt CAPACITY

Just 30 litre Toolbox - Reinforced lid with grid structure - compression locking system with a hook cylinder lock with 2 keys - internal EPDM seal prevents dust and water ingress - internal reinforcement ribs suitable as shelf runners - Fast body lid fixing - 30 litre capacity.



Just toolboxes are approved as lateral protection devices (LPD).  
The approval number for the toolboxes is: E11 73R-11168



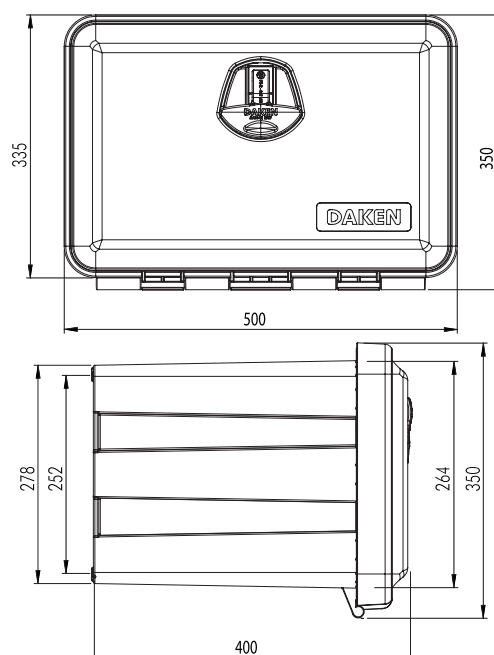
Code	Capacity	Dimensions mm			Weight kg
		L	H	D	
81100	30 Litre	500	350	300	3.0

## JUST TOOLBOX 41 Lt CAPACITY

Just 41 litre Toolbox - Reinforced lid with grid structure - compression locking system with a hook cylinder lock with 2 keys - internal EPDM seal prevents dust and water ingress - internal reinforcement ribs suitable as shelf runners - Fast body lid fixing - 41 litre capacity.



Just toolboxes are approved as lateral protection devices (LPD).  
The approval number for the toolboxes is: E11 73R-11168



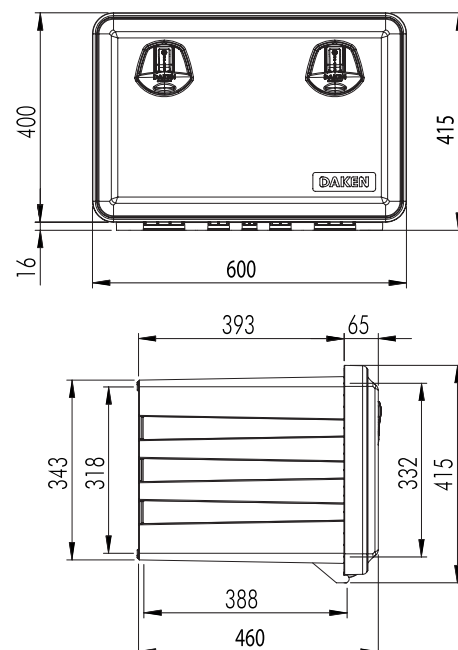
Code	Capacity	Dimensions mm			Weight kg
		L	H	D	
81102	41 Litre	500	350	400	3.3

## JUST TOOLBOX 74 Lt CAPACITY

Just 71litre Toolbox - Reinforced lid with grid structure - compression locking system with a hook cylinder lock with 2 keys - internal EPDM seal prevents dust and water ingress - internal reinforcement ribs suitable as shelf runners - Fast body lid fixing - 74 litre capacity.



Just toolboxes are approved as lateral protection devices (LPD).  
The approval number for the toolboxes is: (E11) 73R-11168



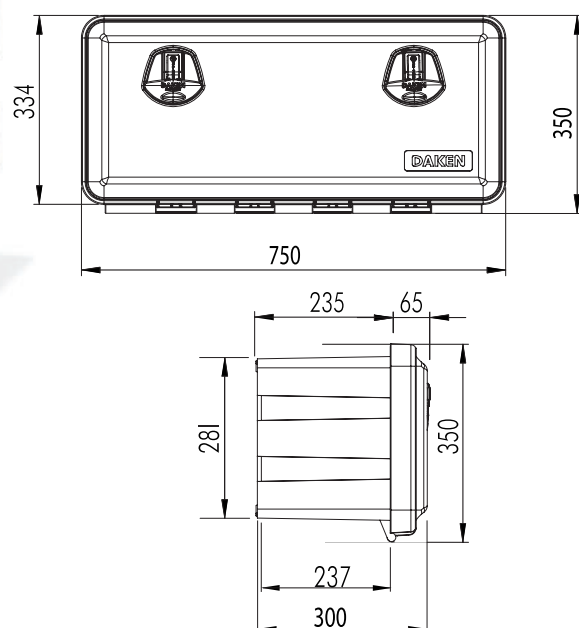
Code	Dimensions mm			Weight kg
	L	H	D	
81104	600	415	460	4.9

## JUST TOOLBOX 47 Lt CAPACITY

Just 40 litre Toolbox - Reinforced lid with grid structure - compression locking system with a hook cylinder lock with 2 keys - internal EPDM seal prevents dust and water ingress - internal reinforcement ribs suitable as shelf runners - fast body lid fixing - 47 litre capacity.



Just toolboxes are approved as lateral protection devices (LPD).  
The approval number for the toolboxes is: (E11) 73R-11168

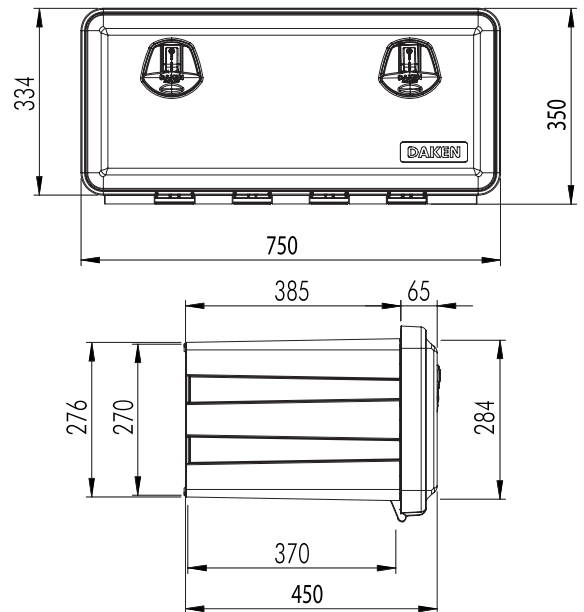


Code	Dimensions mm			Weight kg
	L	H	D	
81105	750	350	300	4.5

## JUST TOOLBOX 74 Lt CAPACITY

Just 65 litre Toolbox - Reinforced lid with grid structure - compression locking system with a hook cylinder lock with 2 keys - internal EPDM seal prevents dust and water ingress - internal reinforcement ribs suitable as shelf runners - fast body lid fixing - 74 litre capacity.

Just toolboxes are approved as lateral protection devices (LPD).  
The approval number for the toolboxes is: E11 73R-11168

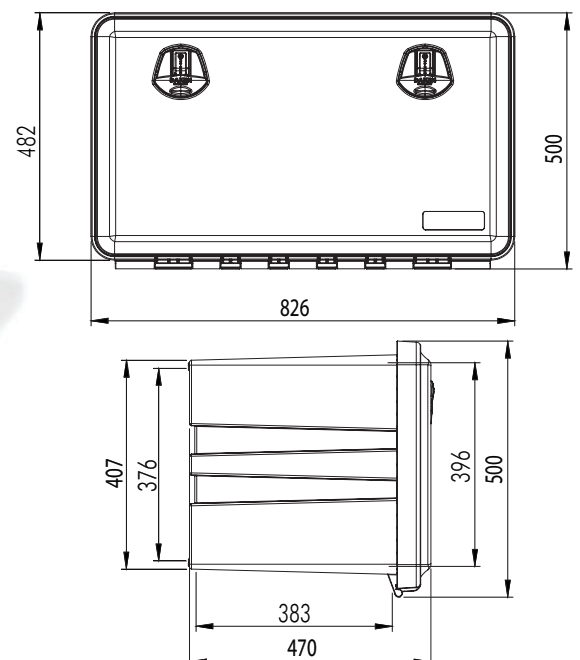


Code	Dimensions mm			Weight kg
	L	H	D	
81106	750	350	450	5.2

## JUST TOOLBOX 127 Lt CAPACITY

Just 125 litre Toolbox - Reinforced lid with grid structure - compression locking system with a hook cylinder lock with 2 keys - internal EPDM seal prevents dust and water ingress - internal reinforcement ribs suitable as shelf runners - Fast body lid fixing - 127 litre capacity.

Just toolboxes are approved as lateral protection devices (LPD).  
The approval number for the toolboxes is: E11 73R-11168

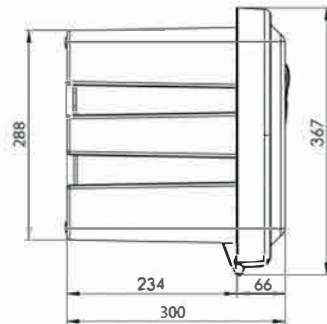
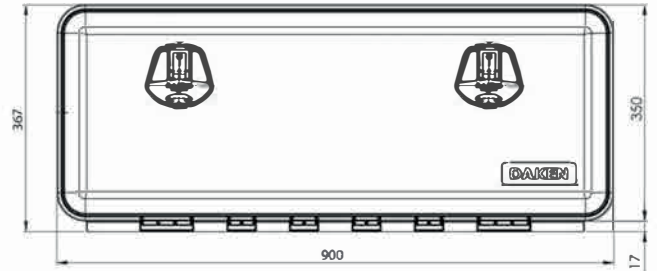


Code	Dimensions mm			Weight kg
	L	H	D	
81108	826	500	470	7.8

## JUST TOOLBOX 57 Lt CAPACITY

Just 57 litre Toolbox - Reinforced lid with grid structure - compression locking system with a hook cylinder lock with 2 keys - internal EPDM seal prevents dust and water ingress - internal reinforcement ribs suitable as shelf runners - fast body lid fixing 57 litre capacity.

Just toolboxes are approved as lateral protection devices (LPD).  
The approval number for the toolboxes is : E11 73R-11168

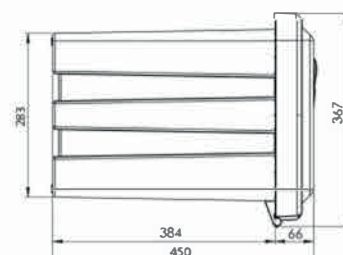
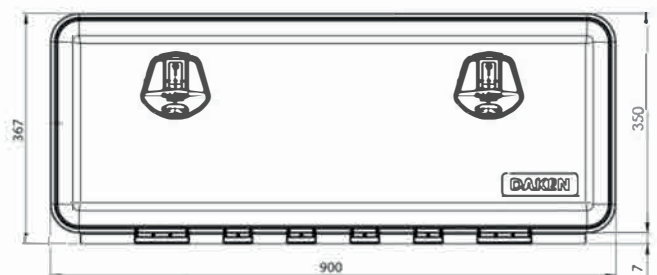


Code	Dimensions (mm)	Weight (kg)
81109	900 x 367 x 300	5.4

## JUST TOOLBOX 90 Lt CAPACITY

Just 90 litre Toolbox - Reinforced lid with grid structure - compression locking system with a hook cylinder lock with 2 keys - internal EPDM seal prevents dust and water ingress - internal reinforcement suitable as shelf runners - Fast body lid fixing 90 litre capacity.

Just toolboxes are approved as lateral protection devices (LPD).  
The approval number for the toolboxes is : E11 73R-11168



Code	Dimensions (mm)	Weight (kg)
81110	900 x 367 x 450	6.6