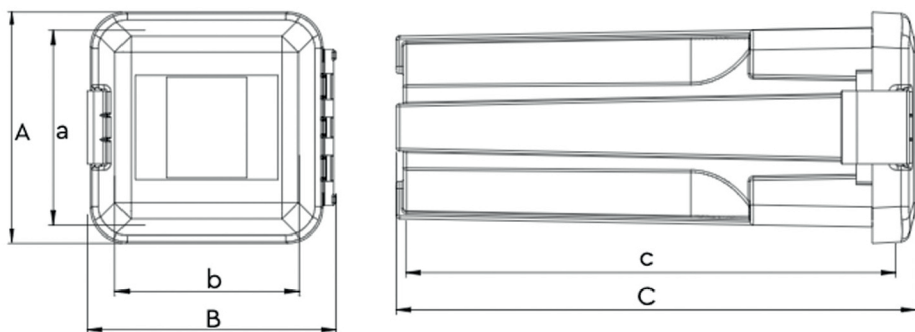


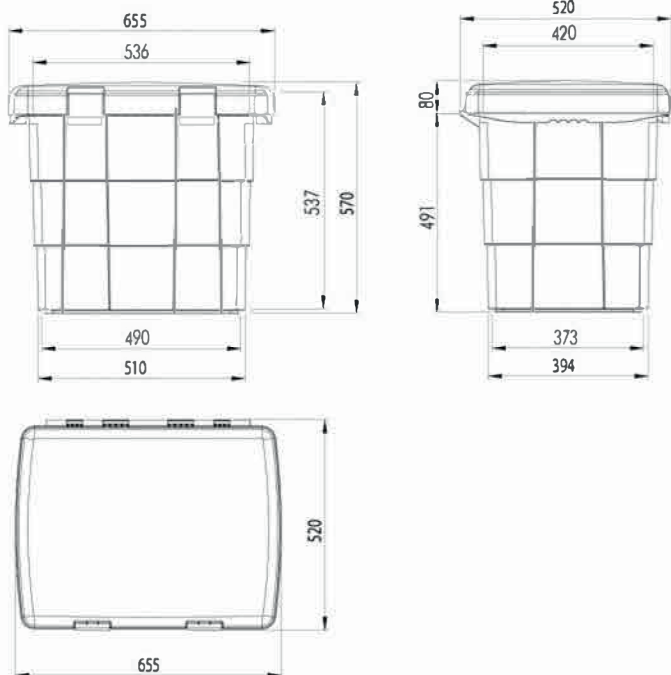
BLACK TOP LOADING SPILL KIT BOX

Black Spill Kit Box - Injection moulded Polypropylene - Waterproof TUV Certification



Code	Dimensions mm			Weight kg
	L	H	D	
82411	265	284	595	2.1
824211	309	324	750	3.2

GRIT / SAND BOXES



Code	Colour	Dimensions mm			Weight kg
		L	H	D	
86004	Black	655	520	570	6.3
86014	Red	655	520	570	6.3
86024	Yellow	655	520	570	6.3
86034	Green	655	520	570	6.3

*Optional cylinder lock