

EVOLUTION MATT STAINLESS STEEL TOOLBOX - 1 Stainless Steel Lock

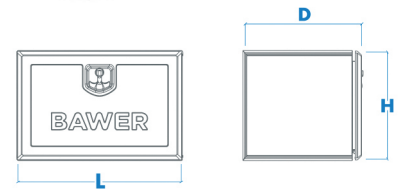
Evolution **BASIC MATT STAINLESS STEEL LINE** Toolbox — 1 mm - Integrated Compression Locking Handle - 2 Keys - Internal Rubber Seal - Water Resistant



Evolution Metal Toolboxes are approved as lateral protection devices (LPD). The approval number is on the side of the box. The approval number for the toolboxes is: (E8) 73R-0110379



Code	Dimensions mm			Weight kg
	L	H	D	
E6150	500	350	400	9.5
E6200	600	400	500	13.5



EVOLUTION MATT STAINLESS STEEL TOOLBOX - 2 Stainless Steel Locks

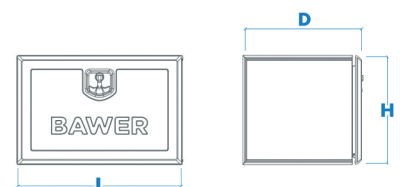
Evolution **BASIC MATT STAINLESS STEEL LINE** Toolbox — 1 mm - Integrated Compression Locking Handle - 2 Keys - Internal Rubber Seal - Water Resistant



Evolution Metal Toolboxes are approved as lateral protection devices (LPD). The approval number is on the side of the box. The approval number for the toolboxes is: (E8) 73R-0110379



Code	Dimensions mm			Weight kg
	L	H	D	
E6250	800	500	500	19.0
E6300	1000	500	500	23.0

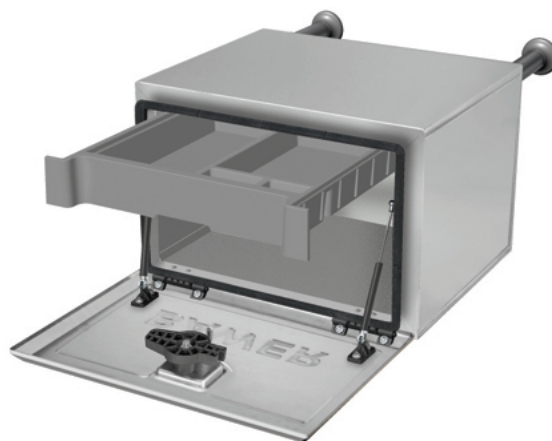


EVOLUTION MATT STAINLESS STEEL TOOLBOX - 1 Stainless Steel Lock

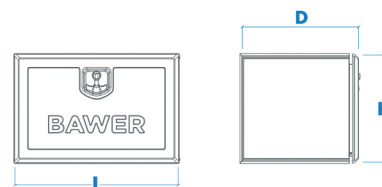
Evolution **PREMIUM MATT STAINLESS STEEL LINE** Toolbox — 1 mm - Integrated Compression Locking Handle - 2 Keys - Internal Rubber Seal - Water Resistant

Pullout Drawer - Gas Struts - Fast Fit Ready

Evolution Metal Toolboxes are approved as lateral protection devices (LPD). The approval number is on the side of the box. The approval number for the toolboxes is: (E8) 73R-0110379



Code	Dimensions mm			Weight kg
	L	H	D	
E6153	500	350	400	12.0
E6203	600	400	500	17.0

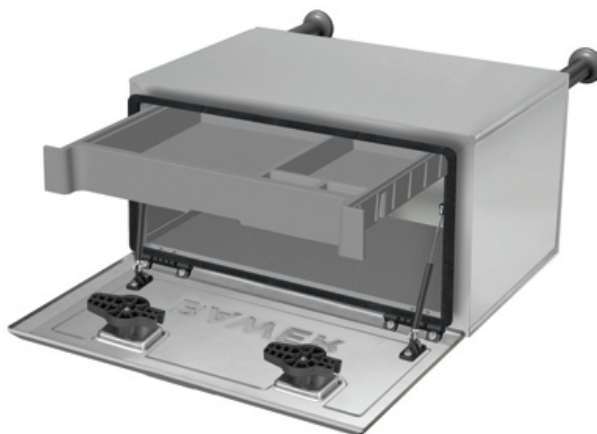


EVOLUTION MATT STAINLESS STEEL TOOLBOX - 2 Stainless Steel Locks

Evolution **PREMIUM MATT STAINLESS STEEL LINE** Toolbox — 1 mm - Integrated Compression Locking Handle - 2 Keys - Internal Rubber Seal - Water Resistant

Pullout Drawer - Gas Struts - Fast Fit Ready

Evolution Metal Toolboxes are approved as lateral protection devices (LPD). The approval number is on the side of the box. The approval number for the toolboxes is: (E8) 73R-0110379



Code	Dimensions mm			Weight kg
	L	H	D	
E6253	800	500	500	23.0
E6303	1000	500	500	27.0

