

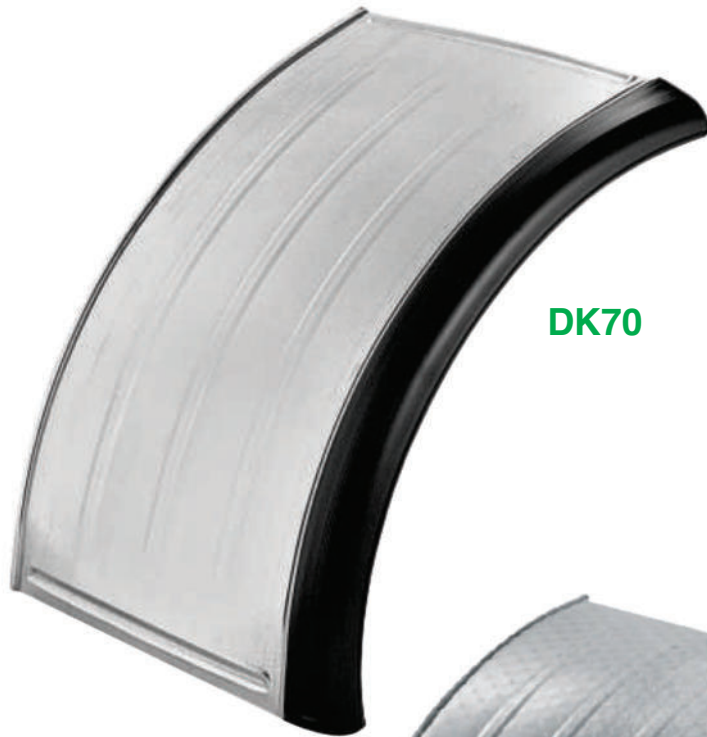
# FLOWERED STAINLESS STEEL & ZINC PLATED HALF WINGS

Mudguards, Mudflaps, Valances and Fittings

## DK70 with Rubber Edge

Zinc Plated Half Wing

Code	Dimensions mm	
	B	L
DK7010	500	700
DK7015	600	700
DK7020	650	700
DK7025	500	800
DK7035	650	800



DK70

## DK73 with Rubber Edge

Flowered Stainless Steel Half Wing

Code	Dimensions mm	
	B	L
DK7310	500	700
DK7320	650	700
DK7325	500	800
DK7335	650	800

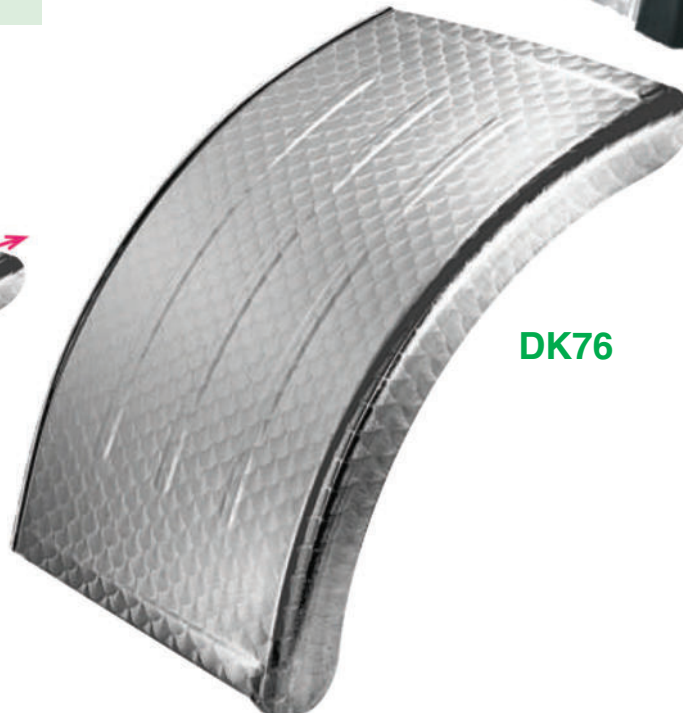


DK73

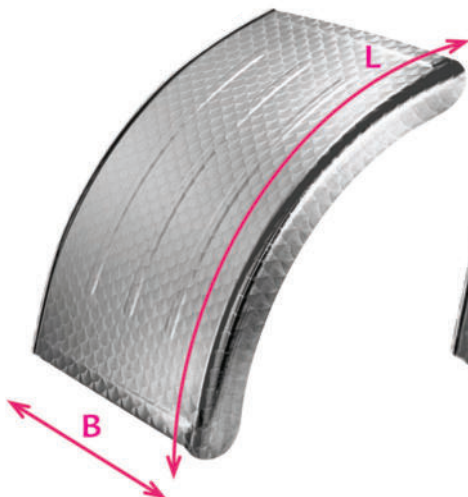
## DK76

Flowered Stainless Steel Half Wing

Code	Dimensions mm	
	B	L
DK7610	500	700
DK7620	650	700
DK7625	500	800
DK7635	650	800



DK76



# FLOWERED STAINLESS STEEL & ZINC PLATED SINGLE AXLE

## Mudguards, Mudflaps, Valances and Fittings

### DK71 Single Axle Zinc Plated Rubber Edge

Code	Dimensions mm		
	B	L	S
DK7110	240	1250	820
DK7115	400	1250	880
DK7120	400	1350	880
DK7125	450	1350	880
DK7130	420	1420	920
DK7135	450	1500	1000
DK7140	500	1500	1000
DK7145	550	1700	1110
DK7150	600	1800	1115
DK7155	650	1800	1115
DK7160	550	1900	1200
DK7165	450	2000	1340
DK7170	600	2000	1340
DK7175	650	2000	1340

### DK71

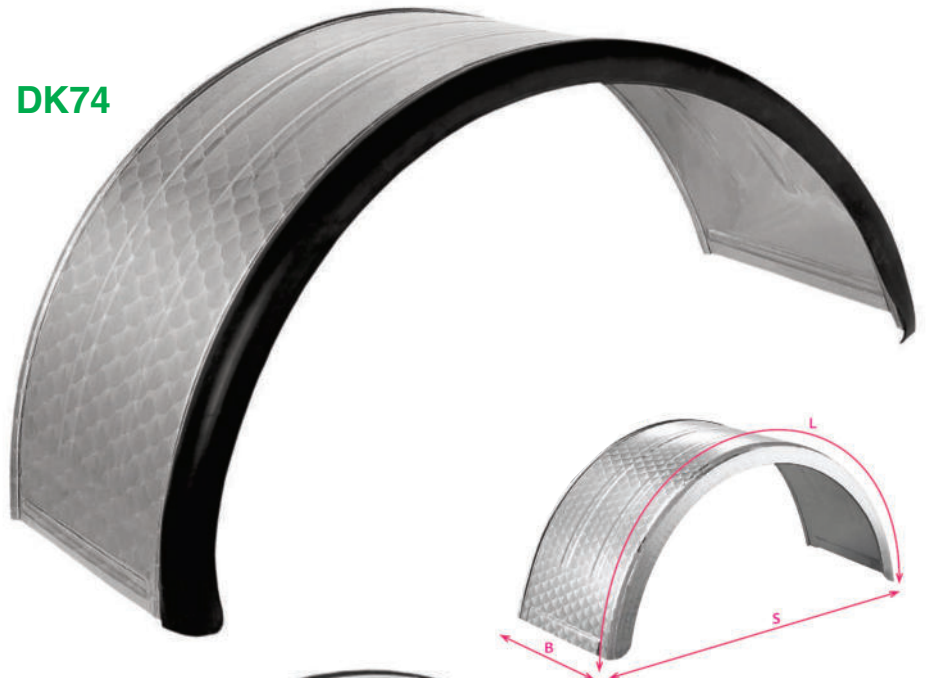


### DK74 Single Axle Rubber Edge

#### Flowered Stainless Steel

Code	Dimensions mm		
	B	L	S
DK7420	400	1350	880
DK7425	450	1350	880
DK7440	500	1500	1000
DK7445	550	1700	1110
DK7450	600	1800	1115
DK7455	650	1800	1115
DK7465	450	2000	1340
DK7475	650	2000	1340

### DK74

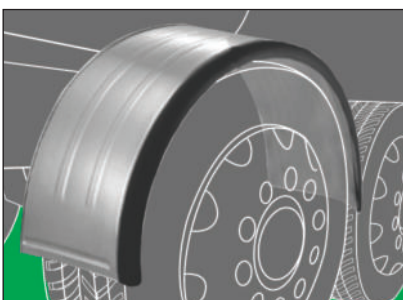


### DK77 Single Axle

#### Flowered Stainless Steel

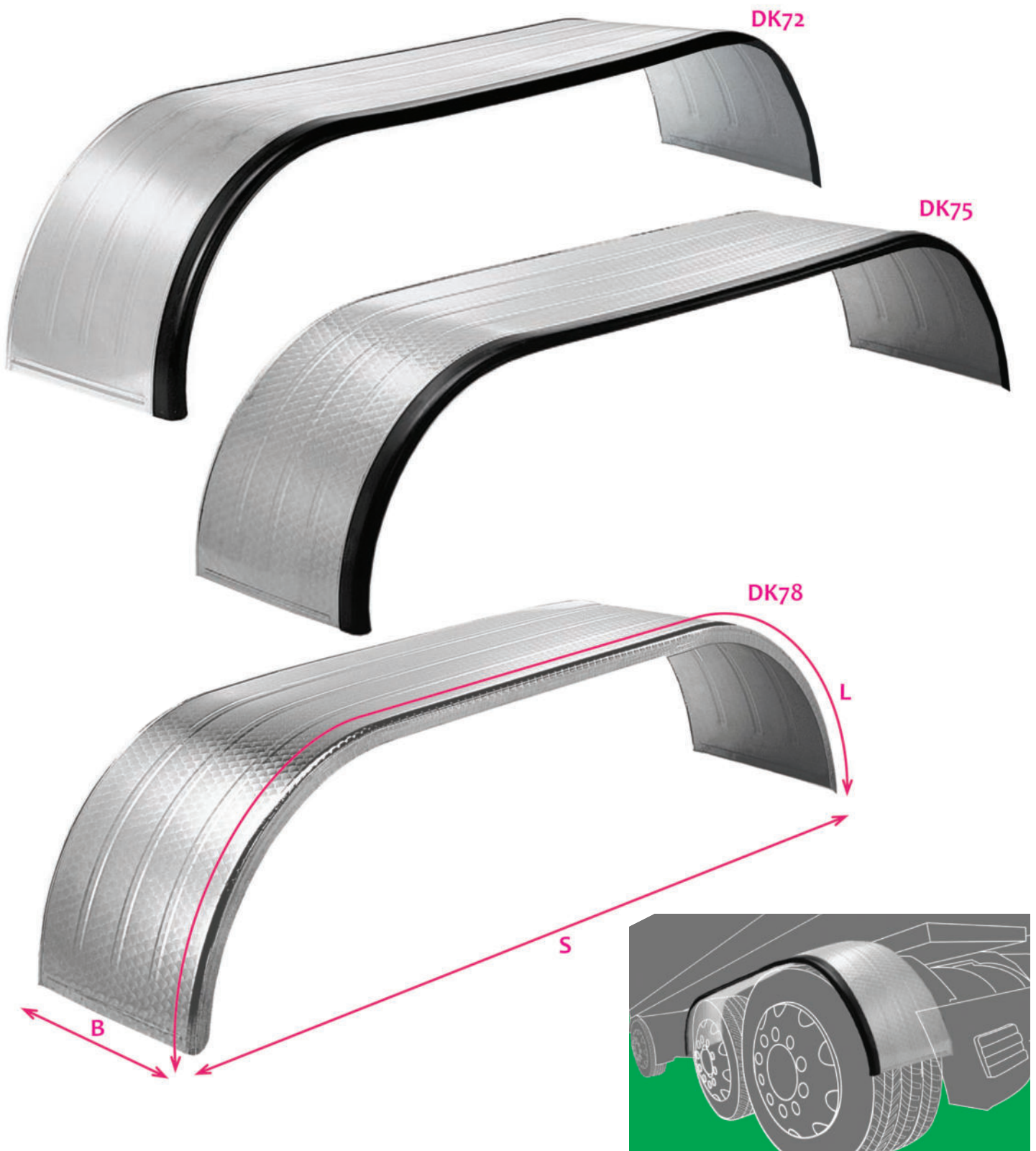
Code	Dimensions mm		
	B	L	S
DK7720	400	1350	880
DK7725	450	1350	880
DK7740	500	1500	1000
DK7745	550	1700	1110
DK7750	600	1800	1115
DK7755	650	1800	1115
DK7765	450	2000	1340
DK7775	650	2000	1340
DK777506	690	2000	1340

### DK77



# FLOWERED STAINLESS STEEL & ZINC PLATED MULTI-AXLE

Flowered - Stainless Steel - Zinc Plated - Multi Axle



DK72 Multi Axle			
Zinc Plated with Rubber Edge			
Code	Dimensions mm		
	B	L	S
DK7215	650	3500	2740
DK7220	500	4750	3950
DK7225	650	4750	3950

DK75 Multi Axle			
Flowered Stainless Steel with Rubber Edge			
Code	Dimensions mm		
	B	L	S
DK7515	650	3500	2740

DK78 Multi Axle			
Flowered Stainless Steel			
Code	Dimensions mm		
	B	L	S
DK7815	650	3500	2740