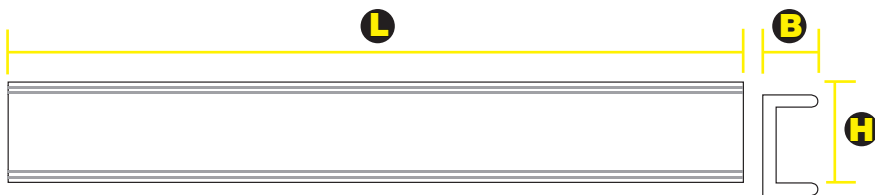


ALUMINIUM LIGHTBAR

Aluminium Lightbars

 E8 58R-027810

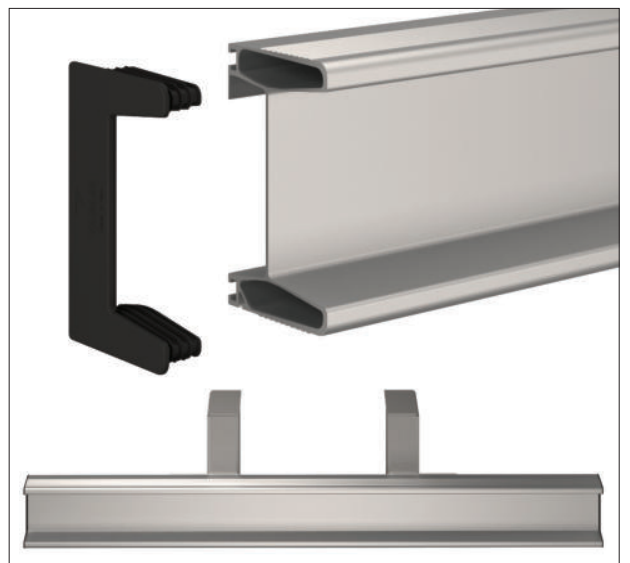
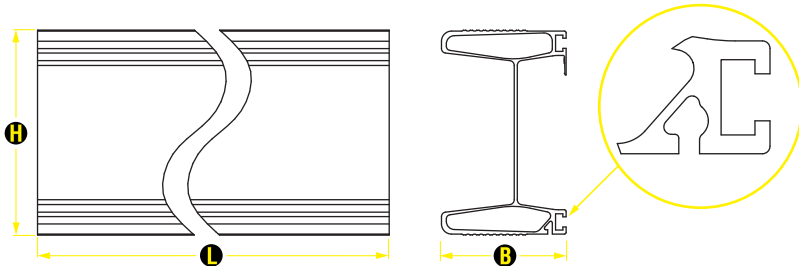
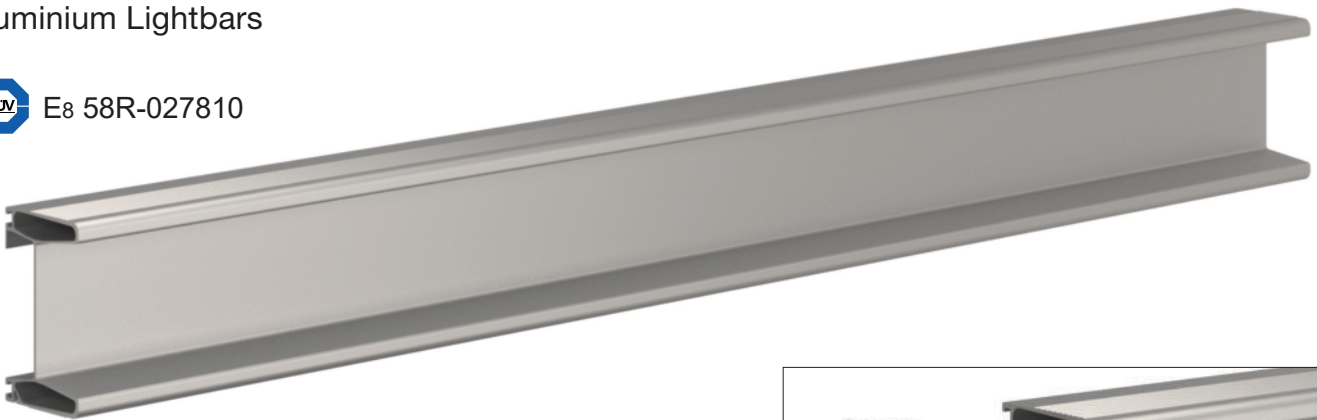


Code	Dimensions mm			Weight kg
	B	H	L	
TK7820	116	270	2406	16.90

ALUMINIUM LIGHTBAR

Aluminium Lightbars

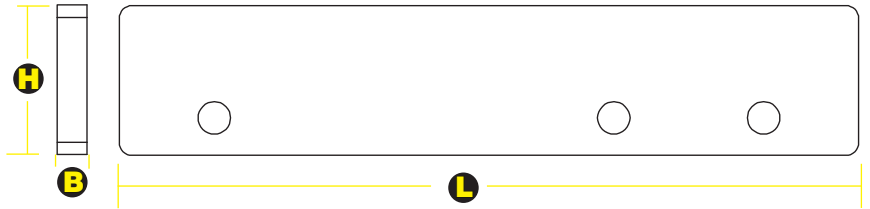
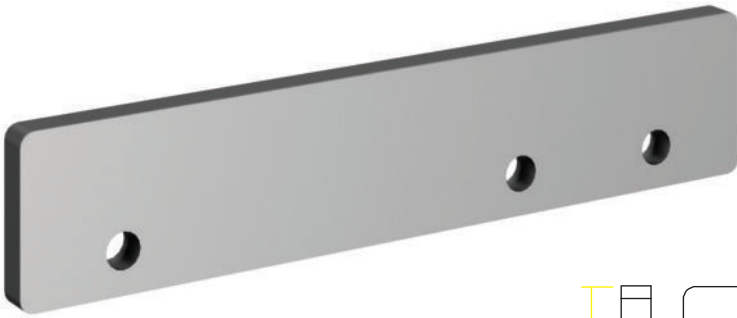
 E8 58R-027810



Code	Dimensions mm			Weight kg
	B	H	L	
TK7830	154	250	2400	23.5

STAINLESS STEEL REINFORCING PLATE

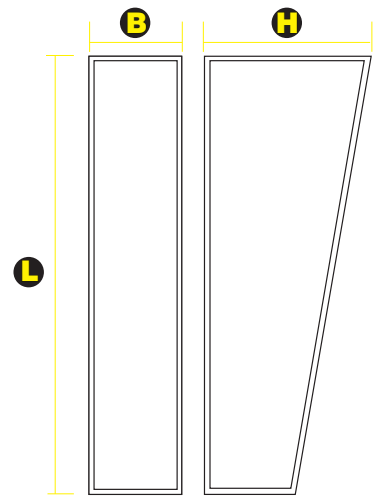
Stainless Steel Reinforcing Plate for Aluminium Lightbars



Code	Dimensions mm			Weight kg
	L	B	H	
TK7895	296	12	60	1.6

STEEL BRACKETS

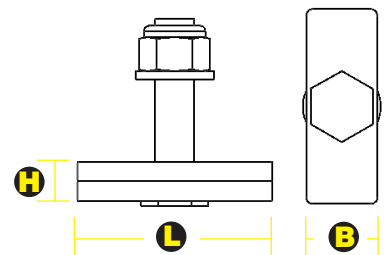
Steel Brackets for Aluminium Lightbars



Code	Dimensions mm			Weight kg
	L	B	H	
TK7880	502	128	300	39.7

FIXING INSERT FOR ALUMINIUM LIGHTBARS

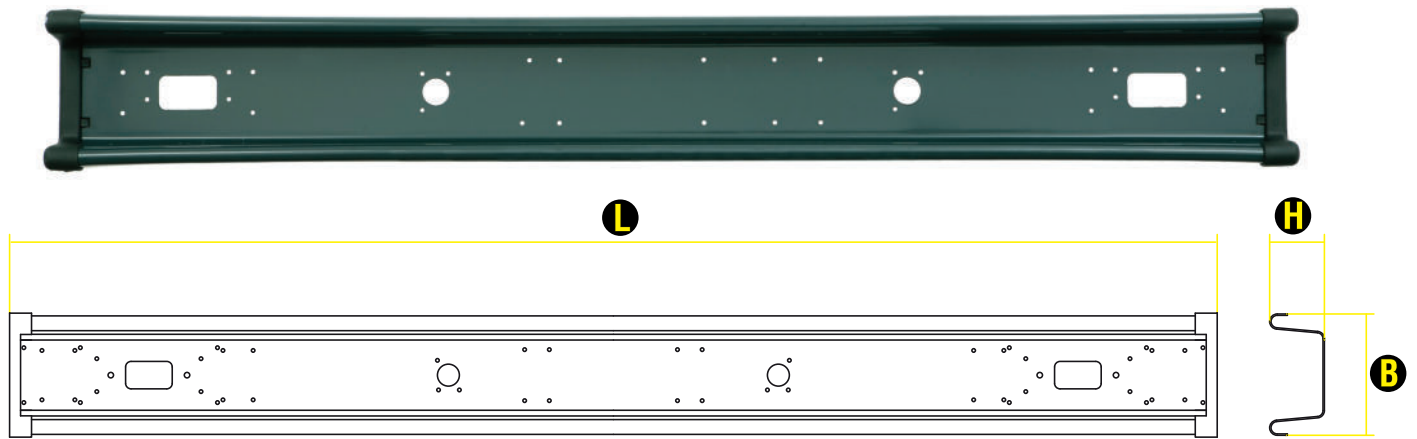
Fixing Insert for slot insertion into Aluminium Lightbars



Code	Dimensions mm			Weight kg
	L	B	H	
TK7890	60	22	12	0.12

GREY LIGHTBAR

Steel Lightbars



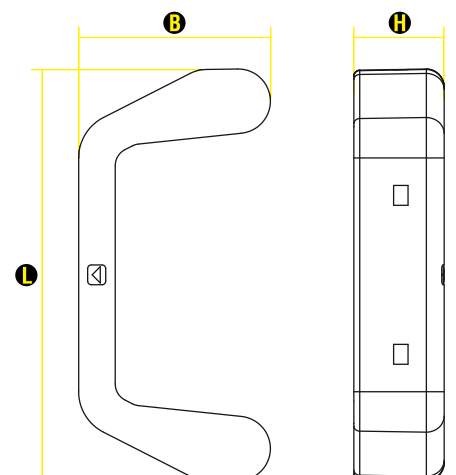
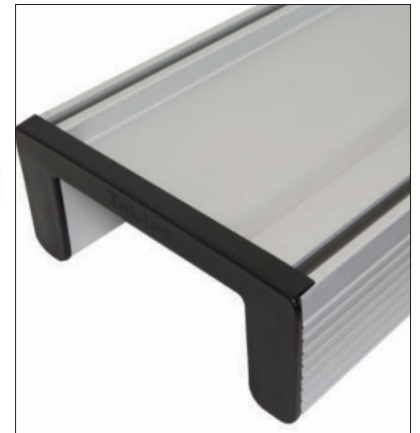
Code	Dimensions mm			Weight kg
	B	H	L	
TK7510	220	105	1800	11.00
TK7515	220	105	1900	12.00
TK7520	220	105	2000	12.50
TK7525	220	105	2100	13.00
TK7530	220	105	2200	14.00
TK7535	220	105	2300	14.70
TK7540	220	105	2400	15.35
TK7545*	220	105	2400	15.35

* Lateral plate



PLASTIC HEADERS

Plastic Headers for Lightbars



Code	Dimensions mm			Weight kg
	L	B	H	
TK9445	227	106	50	0.13
TK9450	227	106	50	0.13
TK9460	227	106	50	0.13