

FAST FIT PLASTIC MUDGUARDS WITH WHITE LINE

Mudguards, Mudflaps, Valances and Fittings

DK4175



DK4180
DK4190



DK4185



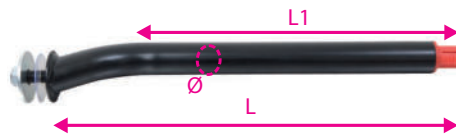
DK41 White Line			
Code	Dimensions mm		
	B	L	S
DK4175	460	1900	1300
DK4180	450	2125	1365
DK4185	450	2125	1365
DK4190	690	2125	1365

TUBE STAYS FAST FIT PLASTIC MUDGUARDS



BLACK POWDER COATED FAST-FIT STRAIGHT TUBE

Code	Dimensions mm	
	L	Ø
DK8050	505	42
DK8051	700	42



BLACK POWDER COATED WITH WELDED SCREW CURVED TUBE

Code	Dimensions mm	
	L	Ø
DK8056	505	42
DK8057	700	42



BLACK POWDER COATED WITH SCREW STRAIGHT TUBE

Code	Dimensions mm	
	L	Ø
DK8052	505	42
DK8053	700	42

BLACK POWDER COATED CURVED FAST FIT TUBE

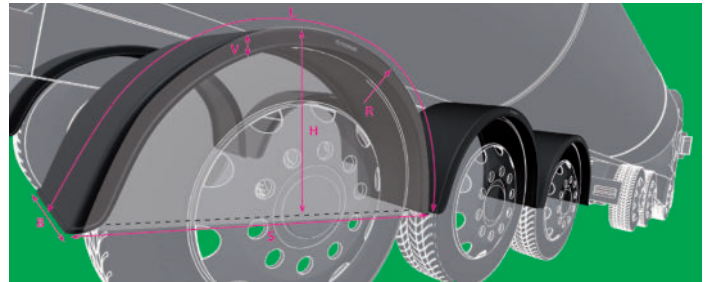
Code	Dimensions mm		
	L	L1	Ø
DK8058	510	390	42



DK8058

PLASTIC MUDGUARD

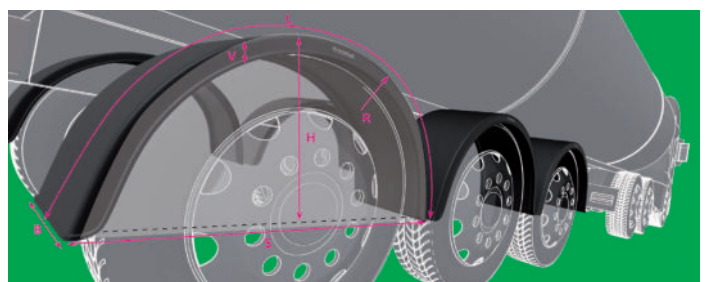
Mudguards, Mudflaps, Valances and Fittings



Code	Dimensions mm					
	B	L	R	S	H	V
DK1510	270	1300	420	840	410	60
DK1515	410	1350	430	860	430	60
DK1520	450	1350	430	860	430	60
DK1530	500	1620	500	1000	520	60
DK1535	500	1700	550	1100	540	75
DK1540	550	1700	550	1100	540	75
DK1545	550	1780	560	1120	570	60

Code	Dimensions mm					
	B	L	R	S	H	V
DK1550	550	1900	630	1280	600	75
DK1555	600	1700	550	1100	540	75
DK1560	600	1840	580	1160	590	60
DK1565	600	1900	630	1280	600	75
DK1570	650	1900	630	1280	600	75
DK1575	430	1900	650	1300	580	75
DK1580	430	2125	650	1300	690	75
DK1585	670	2125	670	1340	680	75

PLASTIC MUDGUARD WITH WHITE LINE

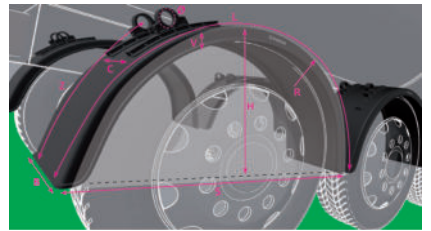


Code	Dimensions mm					
	B	L	R	S	H	V
DK1615	410	1350	430	860	430	60
DK1620	450	1350	430	860	430	60
DK1635	500	1700	550	1100	540	75
DK1640	550	1700	550	1100	540	75
DK1650	550	1900	630	1280	600	75
DK1655	600	1700	550	1100	540	75

Code	Dimensions mm					
	B	L	R	S	H	V
DK1665	600	1900	630	1280	600	75
DK1670	650	1900	630	1280	600	75
DK1675	430	1900	650	1300	580	75
DK1680	430	2125	650	1300	690	75
DK1685	670	2125	670	1340	680	75

PLASTIC MUDGUARD WITH ADJUSTABLE SUPPORTS

Mudguards, Mudflaps, Valances and Fittings

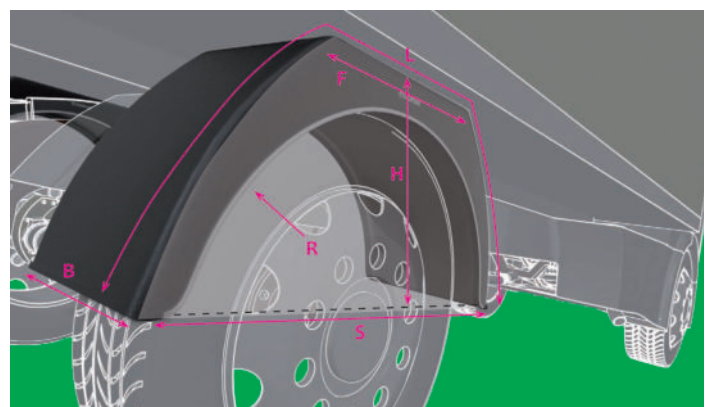


Code	Dimensions mm						Support Dimensions mm		
	B	L	R	S	H	V	C	Z	Ø
DK2575	430	1900	650	1300	580	75	210	500	42
DK2580	430	2125	650	1300	690	75	210	570	42
DK2585	670	2125	670	1340	680	75	450	570	42

Code White Line	Dimensions mm						Support Dimensions mm		
	B	L	R	S	H	V	C	Z	Ø
DK2675	430	1900	650	1300	580	75	210	500	42
DK2680	430	2125	650	1300	690	75	210	570	42
DK2685	670	2125	670 <td 1340	680	75	450	570	42	



PLASTIC FLAT - TOPPED MUDGUARD WITH WHITE LINE

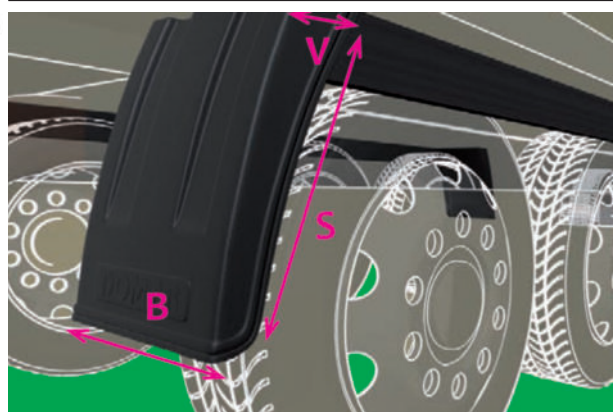


Code	Dimensions mm					
	B	L	R	S	H	F
DK3110	260	1450	380	880	450	400
DK3115	450	1480	400	920	460	400
DK3120	510	1770	430	1000	550	510
DK3125*	550	1930	512	1150	570	650

* DK3125 is only available with a Black line

PLASTIC HALF WING MUDGUARD

Mudguards, Mudflaps, Valances and Fittings



Code	Wing Dimensions mm			Support Dimensions mm		
	B	S	V	C	Z	Ø
DK1210	460	500	150	-	-	-
DK1220	460	600	150	-	-	-
DK2210	460	500	150	180	300	42

ANTI - SPRAY SIDE VALANCE



Anti - Spray Side Valance with horizontal fitting set			Anti - Spray Side Valance with vertical fitting set		
Code	Dimensions mm		Code	Dimensions mm	
	L	H		L	H
DK5510	3700	100	DK5550	3700	100
DK5520	3700	150	DK5560	3700	150

