

2 PIECE REAR REFLECTIVE & FLUORESCENT PANELS

Rear Reflecting and Fluorescent panels for trucks conforming to ECE 70.01 regulations

High intensity reflective, micro-prismatic yellow foil - 2-300% brighter than traditional class 2 films

Reflecting/Reflecting Aluminium

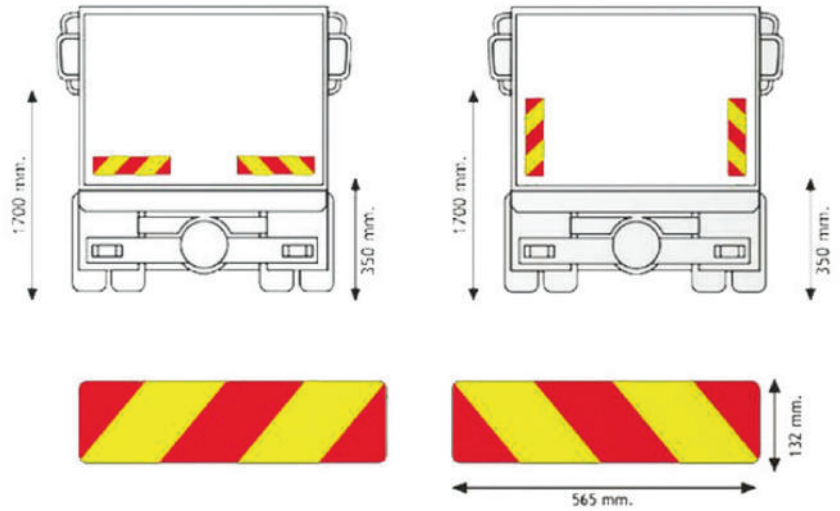
BC90151	0.8mm
BC90154	1.0
BC90095	1.2
BC90157	2.0

Reflecting/Reflecting Self Adhesive BC99204

Reflecting/Fluorescent Aluminium

BC90160	0.8mm
BC90163	1.0
BC90094	1.2
BC90168	2.0

Reflecting/Fluorescent Self Adhesive BC99207



4 PIECE REAR REFLECTIVE & FLUORESCENT PANELS

Reflecting/Reflecting Aluminium

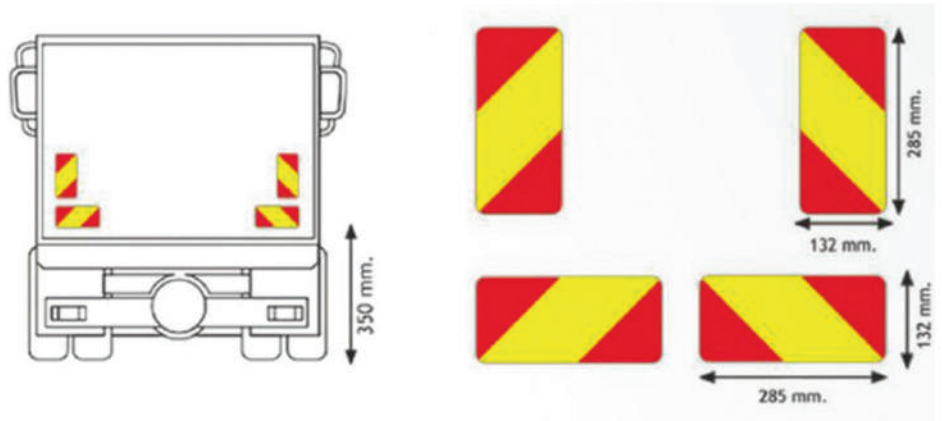
BC90152	0.8mm
BC90155	1.0
BC90086	1.2
BC90158	2.0

Reflecting/Reflecting Self Adhesive BC99205

Reflecting/Fluorescent Aluminium

BC90161	0.8mm
BC90164	1.0
BC90166	1.2
BC90169	2.0

Reflecting/Fluorescent Self Adhesive BC99208



1 PIECE REAR REFLECTIVE & FLUORESCENT PANELS

Reflecting/Reflecting Aluminium

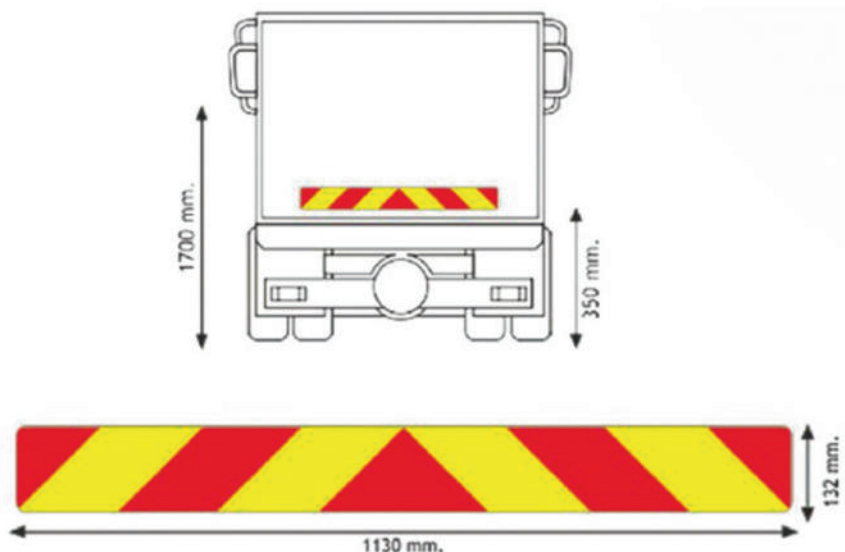
BC90156	1.0
BC90088	1.2
BC90159	2.0

Reflecting/Reflecting Self Adhesive BC99206

Reflecting/Fluorescent Aluminium

BC90165	1.0
BC90167	1.2
BC90170	2.0

Reflecting/Fluorescent Self Adhesive BC99209



2 PIECE REAR REFLECTIVE & FLUORESCENT PANELS

Rear Reflecting and Fluorescent panels for trailers conforming to ECE 70.01 regulations
High intensity reflective, micro-prismatic yellow foil - 2-300% brighter than traditional class 2 films

Reflecting/Reflecting Aluminium

BC90171	0.8mm
BC90174	1.0
BC90096	1.2
BC90177	2.0

Reflecting/Reflecting Self Adhesive

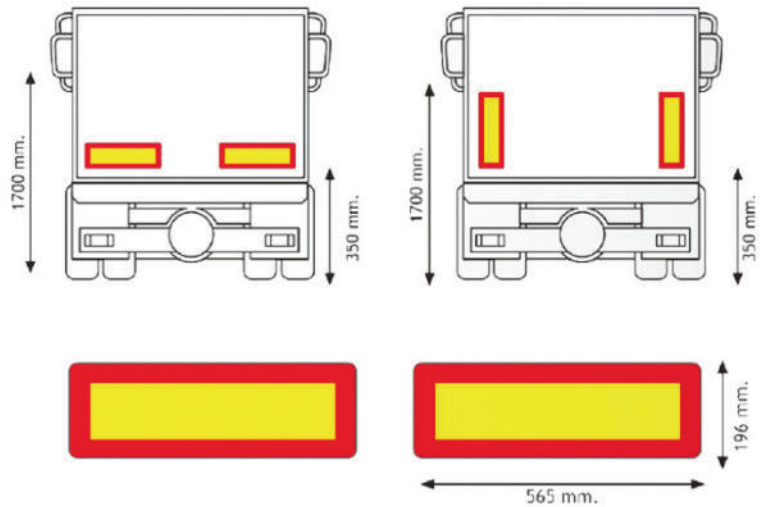
BC99214

Reflecting/Fluorescent Aluminium

BC90180	0.8
BC90183	1.0
BC90093	1.2
BC90188	2.0

Reflecting/Fluorescent Self Adhesive

BC99217



4 PIECE REAR REFLECTIVE & FLUORESCENT PANELS

Reflecting/Reflecting Aluminium

BC90172	0.8mm
BC90175	1.0
BC90090	1.2
BC90178	2.0

Reflecting/Reflecting Self Adhesive

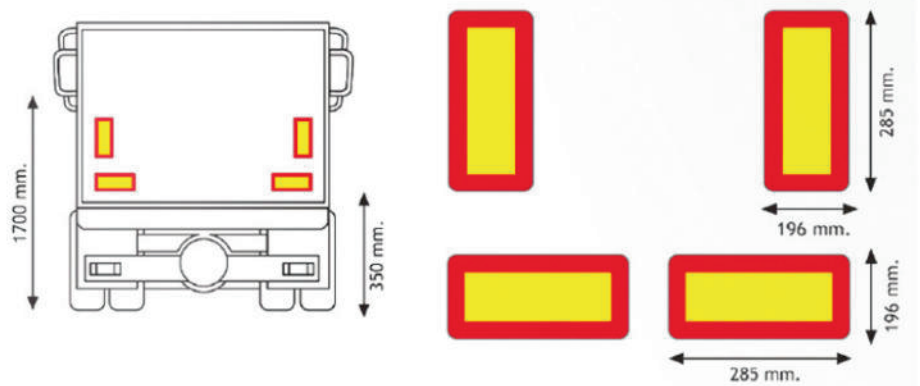
BC99215

Reflecting/Fluorescent Aluminium

BC90181	0.8mm
BC90184	1.0
BC90186	1.2
BC90189	2.0

Reflecting/Fluorescent Self Adhesive

BC99218



1 PIECE REAR REFLECTIVE & FLUORESCENT PANELS

Reflecting/Reflecting Aluminium

BC90176	1.0
BC90092	1.2
BC90179	2.0

Reflecting/Reflecting Self Adhesive

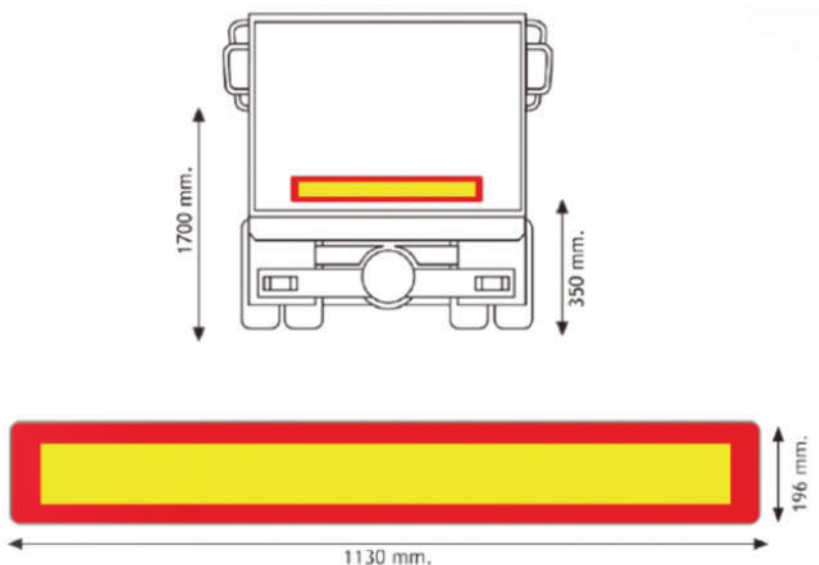
BC99216

Reflecting/Fluorescent Aluminium

BC90185	1.0
BC90187	1.2
BC90190	2.0

Reflecting/Fluorescent Self Adhesive

BC99219



REAR REFLECTING AGRICULTURAL PANELS

Rear Reflecting and Fluorescent Agricultural Panels Zinc Coated - Single layer non-peel reflective film - Conforming to DIN 11030 Class 1 Film

Code	Side	Dimensions mm	
		L	H
BC90011	Lefthand	423	423
BC90012	Righthand	423	423



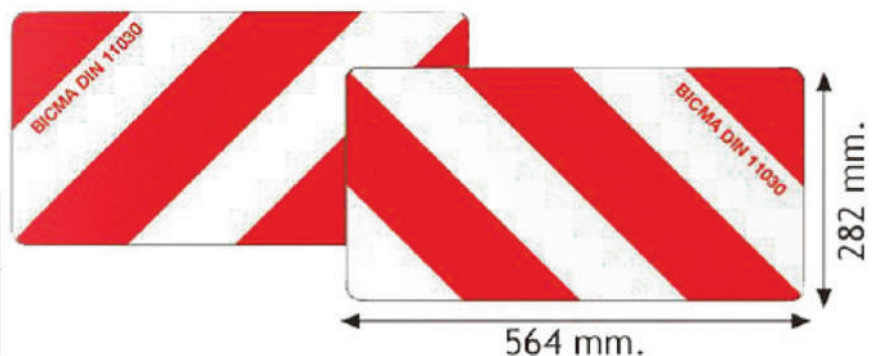
Code	Side	Dimensions mm	
		L	H
BC90022	Righthand	423	423
BC90023	Lefthand	423	423



Code	Side	Dimensions mm	
		L	H
BC90001	Righthand	423	423
BC90002	Lefthand	423	423

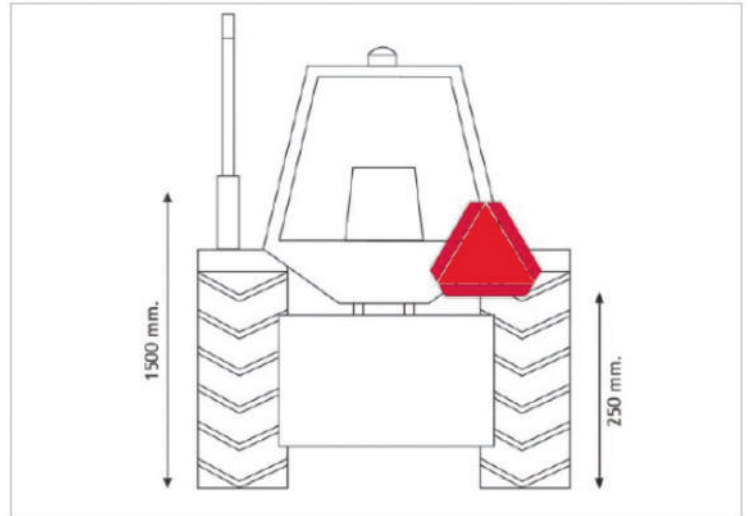
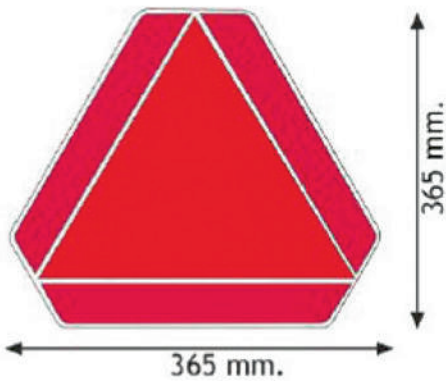


Code	Side	Dimensions mm	
		L	H
BC90031	2 Panel Kit	564	282



WARNING TRIANGLE

Aluminium Warning Triangle for slow moving vehicles conforming to ECE 69.01



Code	Dimensions mm	
	W	H
BC70070	365	365

WARNING TRIANGLE

Fold up Warning Triangle for carrying in the vehicle in case of breakdown



Code	Dimensions mm		
	W	H	D
BC70090	365	365	35

TIR PANELS

Aluminium TIR Panels 1mm - Flat and Folding



FLAT ALUMINIUM PANEL		
Code	Dimensions mm	
	W	H
BC90111	400	250

VERTICAL FOLDING PANEL		
Code	Dimensions mm	
	W	H
BC90112	400	250

HORIZONTAL FOLDING PANEL		
Code	Dimensions mm	
	W	H
BC90112	400	250

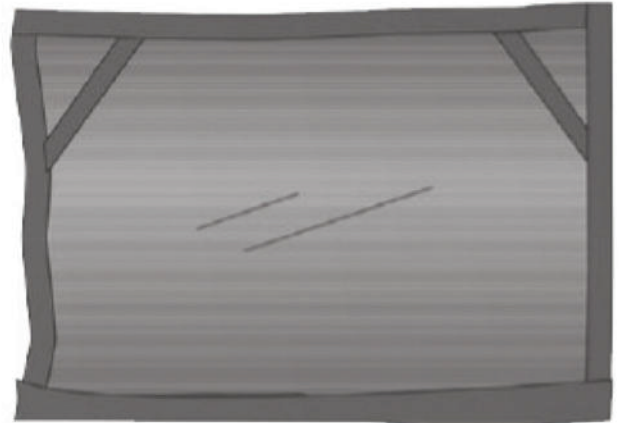
DANGEROUS LOAD NEUTRAL PANELS

Standard and Folding Neutral Panels for Dangerous Load Transport (A.D.R.)
Aluminium, Stainless Steel and Zinc Plated

Code	Material	Dimensions mm		
		L	H	D
BC91201	Stainless Steel	400	300	0.8
BC91203	Zinc Plated	423	423	0.8



Code	Material	Dimensions mm	
		L	H
BC91054	Black Panel Cover	400	300



Code	Material	Dimensions mm		
		L	H	D
BC91210	Aluminium	300	120	1.0
BC91216	Aluminium (Folding)	300	120	2.0

BC91210



BC91216



Code	Material	Dimensions mm		
		L	H	D
BC91208	Aluminium (Vertical Folding)	400	300	1.0
BC91212	Aluminium (Vertical Folding)	400	300	2.0
BC91219	Stainless Steel (Vertical Folding)	400	300	0.8
BC91221	Zinc Plated (Vertical Folding)	400	300	0.8



DANGEROUS LOAD NEUTRAL PANELS

Standard and Folding Neutral Panels for Dangerous Load Transport (A.D.R.)
Aluminium, Stainless Steel and Zinc Plated

HORIZONTAL FOLDING

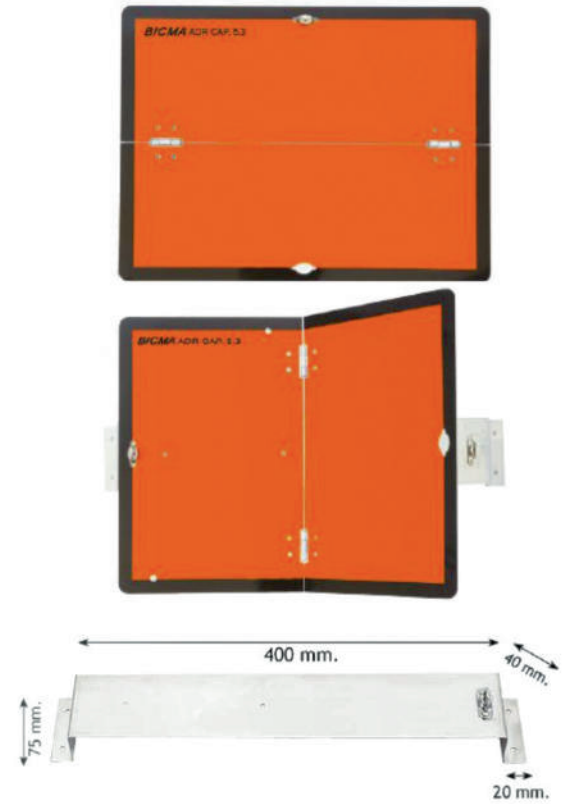
Code	Material	Dimensions mm		
		L	H	D
BC91209	Aluminium (Horizontal Folding)	400	x 300	x 1.0
BC91211	Aluminium (Horizontal Folding)	400	x 300	x 2.0
BC91222	Zinc Plated (Horizontal Folding)	400	x 300	x 0.8
BC91223	Stainless Steel (Horizontal Folding)	400	x 300	x 0.8

VERTICAL FOLDING

Code	Material	Dimensions mm		
		L	H	D
BC91207	Aluminium with Bracket	400	x 300	x 1.0

BRACKET FOR FOLDING PANELS

Code	Material	Dimensions mm	
		L	D
BC91240	Bracket with Fixing Bolts	400	x 75



DANGEROUS LOAD PANELS WITH RUBBER PROTECTION

Vertical Folding Panels for Dangerous Load Transport (A.D.R.)
Aluminium, Stainless Steel and Zinc Plated

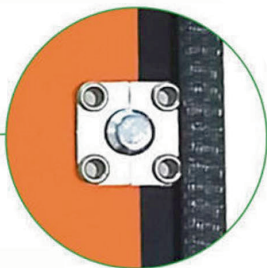
Code	Material	Dimensions mm		
		L	H	D
BC91217	Aluminium (Vertical Folding)	400	x 300	x 1.0
BC91218	Stainless Steel (Vertical Folding)	400	x 300	x 0.8
BC91220	Zinc Plated (Vertical Folding)	400	x 300	x 0.8

Code	Material	Dimensions mm		
		L	H	D
BC92055	Zinc Plated (Vertical Folding)	400	x 300	x 0.8

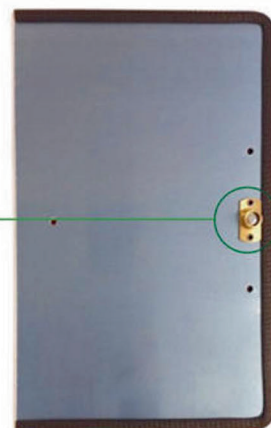
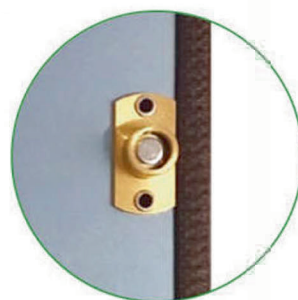


A.D.R. HOLDING PANELS

A.D.R. Vertical Folding Panel - Aluminium - Rubber Protection Border - Closing Patented System



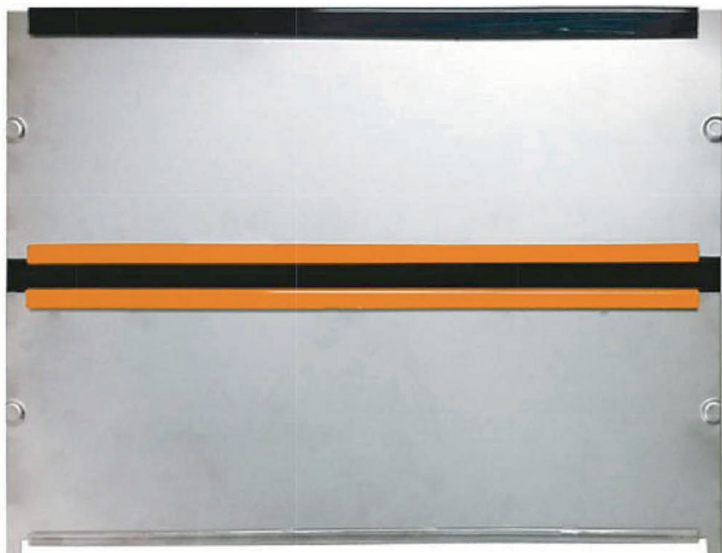
A.D.R. aluminium neutral vertical folding plate with rounded corners, rubber protection and special closing system according with WVTA, with 3 holes by $\varnothing.5$ mm



Code	Material	Dimensions mm			
		L	H	D	
BC90326	Aluminium	400	300	1.0	Vertical Fold
BC90377	Aluminium	300	400	1.0	Horizontal Fold

A.D.R. HOLDING PANELS

A.D.R. Double Folding Panel - Stainless Steel - Suitable for 94 x 134mm numbers



Suitable for 94 x 134mm numbers

Code	Material	Dimensions mm		
		L	H	D
BC90326	Aluminium	300	400	1.0