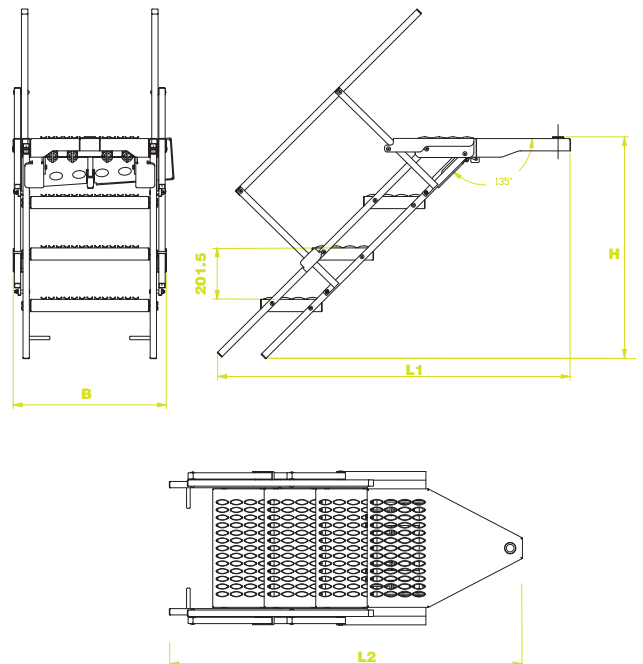
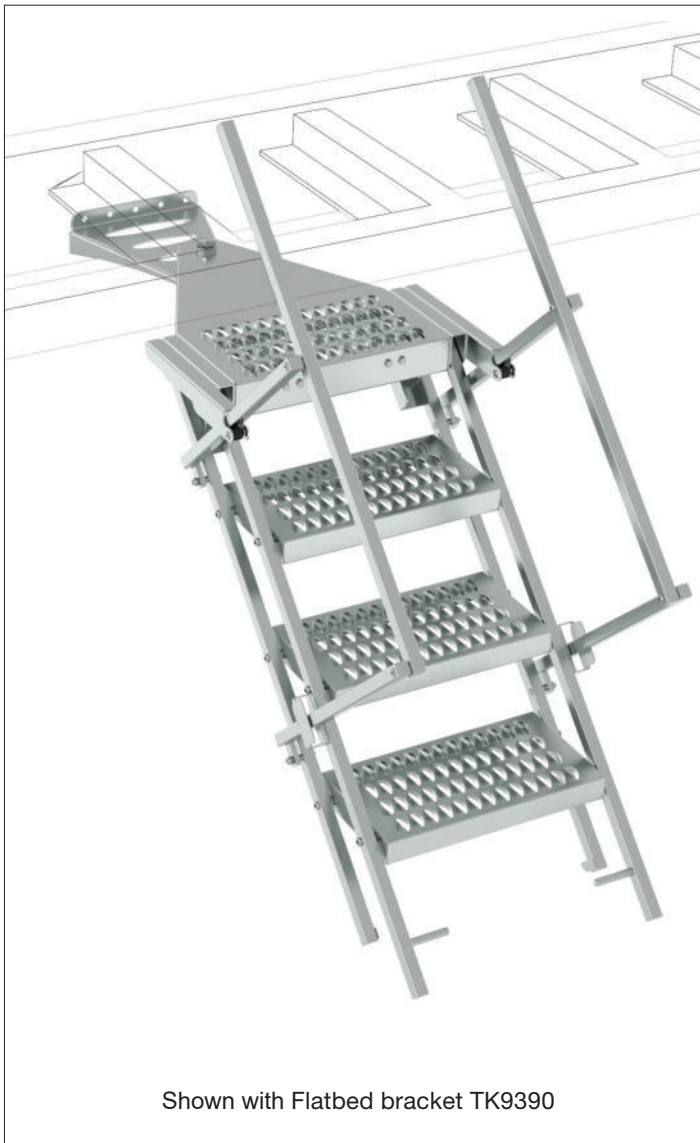


ROTATING LADDER WITH WIDER STEPS WITH HANDRAILS

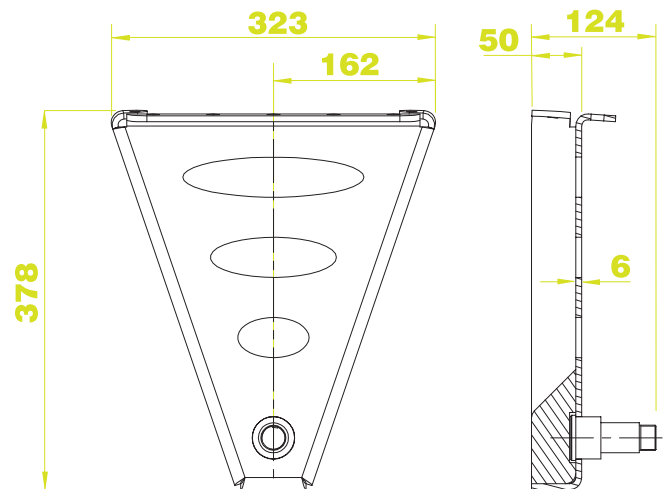
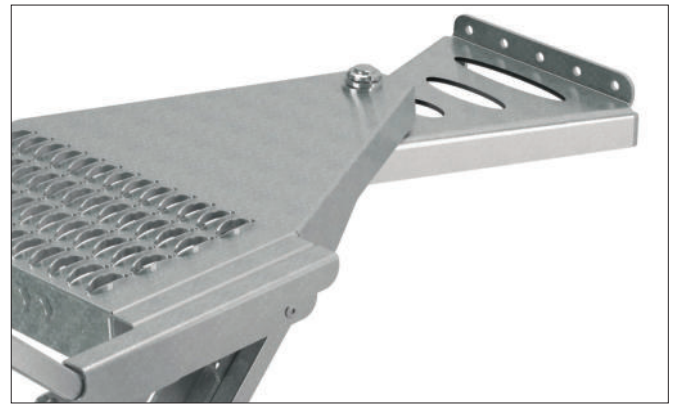
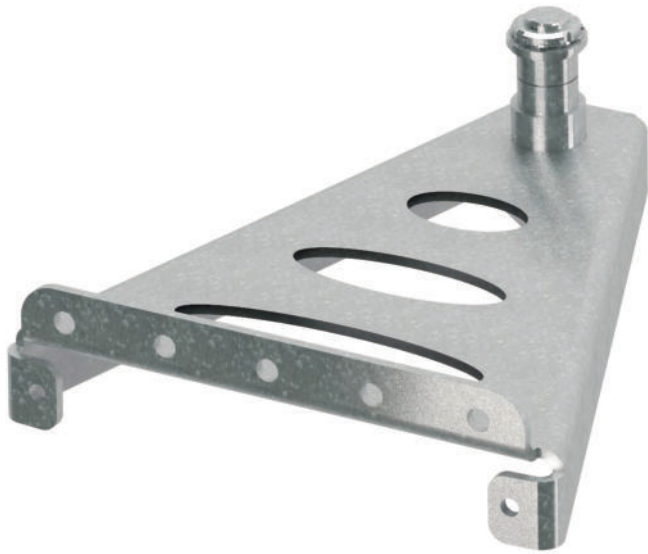
Rotating Ladder with 4 wide steps and handrails - Hot Galvanised or Stainless Steel



Code	Dimensions mm				Steps	Weight kg
	B	L1	L2	H		
HOT GALVANISED						
TK9355	600	1380	1707	866	4	43
TK9365	600	1564	1988	1069	5	50
TK9375	600	1766	2273	1271	6	56
STAINLESS STEEL						
TK9360	600	1380	1707	866	4	40
TK9370	600	1564	1988	1069	5	47.5
TK9380	600	1766	2273	1271	6	53

FLATBED BRACKET FOR ROTATING LADDER

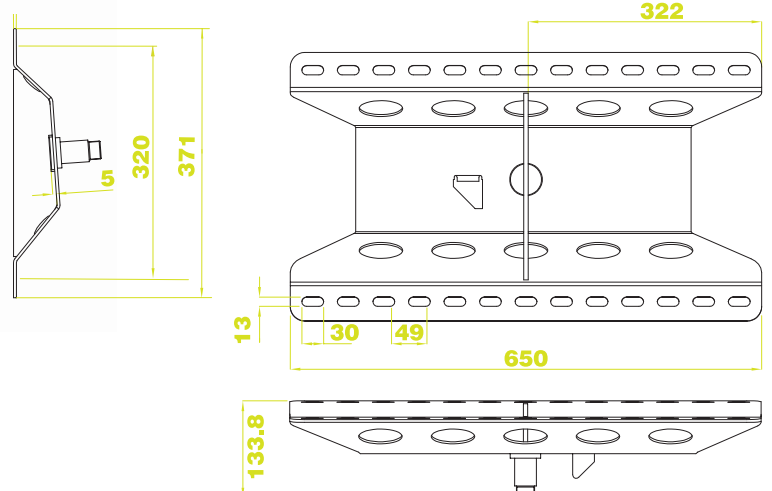
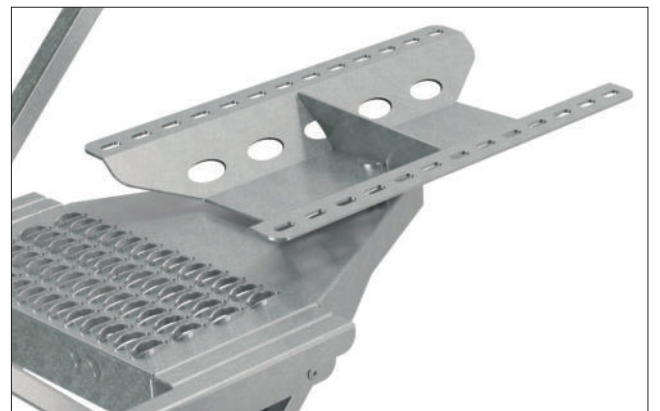
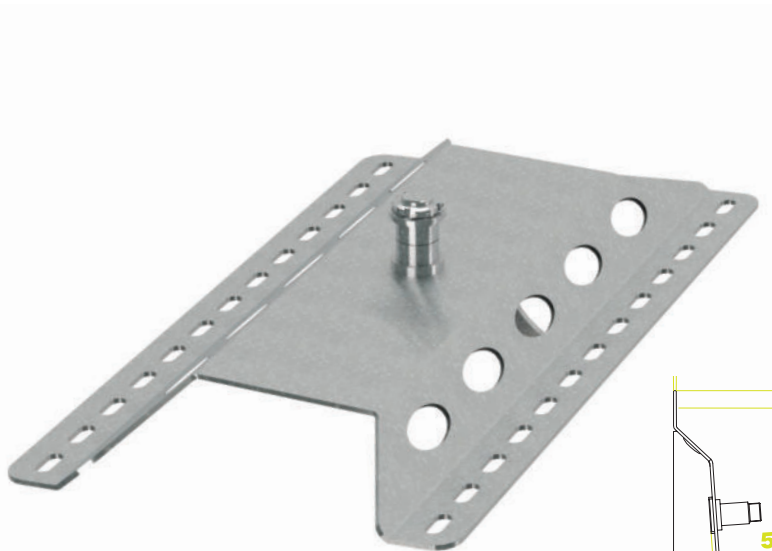
Flatbed bracket - Hot Galvanised



Code	Dimensions mm			Weight kg
	L	H	B	
TK9390	323	378	124	5.8

CHASSIS BRACKET FOR ROTATING LADDER

Chassis bracket - Hot Galvanised



Code	Dimensions mm			Weight kg
	L	H	B	
TK9395	650	371	120	7.8