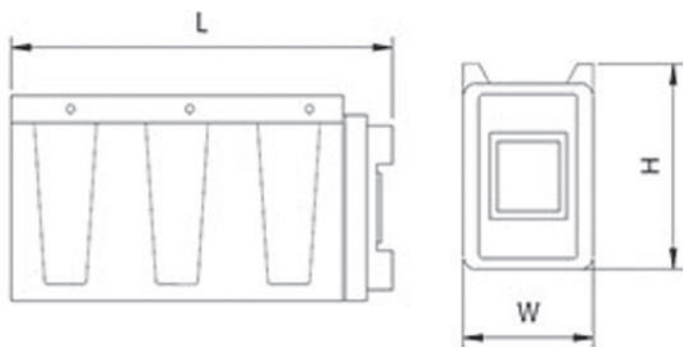


## GREEN TOP LOADING SPILL KIT BOX

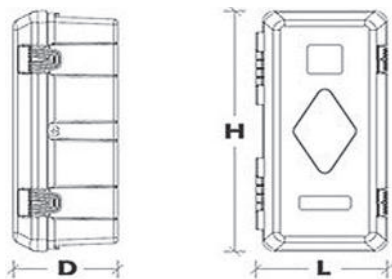
Green Spill Kit box - Heavy Duty Polypropylene resin - Rotational moulding - Moulded in fixing points - Water Resistant Seal



Code	Dimensions mm			Weight kg
	L	H	D	
BJB25S	735	290	250	2.87

## FRONT LOADING SPILL KIT BOX

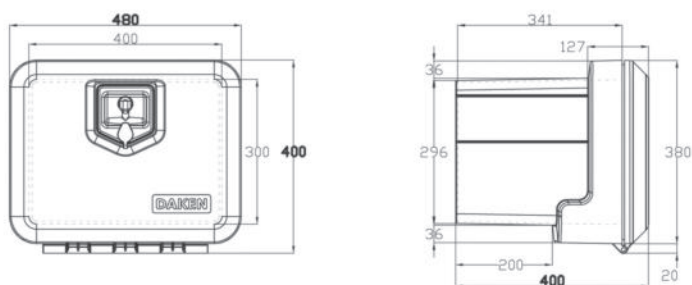
Front Loading Black Spill Kit box - Polypropylene resin using injection moulding - Durable No distortion - Water Resistant Seal



Code	Dimensions mm			Weight kg
	L	H	D	
V6510S	310	675	250	2.87
V6510S-NW	310	611	250 (No Window)	2.87

## UNDERBODY SPILL KIT BOX

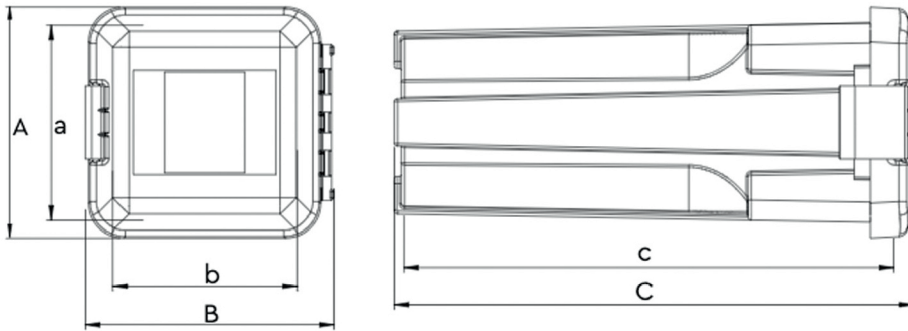
UnderbodyBlack Spill Kit box - 39 Litre capacity - Europlex Lock - Water Resistant Seal Polypropylene resin using injection moulding



Code	Dimensions mm			Weight kg
	L	W	D	
81002S	480	400	400	6.0

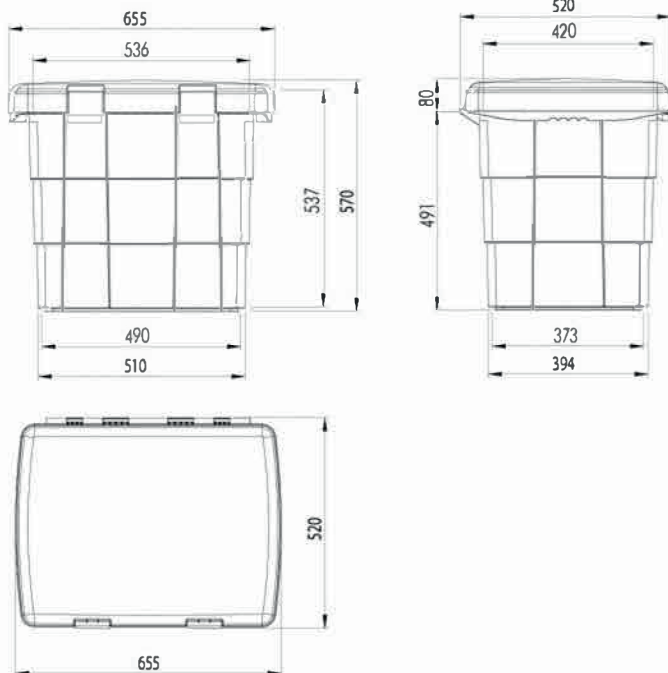
# BLACK TOP LOADING SPILL KIT BOX

Black Spill Kit Box - Injection moulded Polypropylene - Waterproof TUV Certification



Code	Dimensions mm			Weight kg
	L	H	D	
82411	265	284	595	2.1
824211	309	324	750	3.2

# GRIT / SAND BOXES



Code	Colour	Dimensions mm			Weight kg
		L	H	D	
86004	Black	655	520	570	6.3
86014	Red	655	520	570	6.3
86024	Yellow	655	520	570	6.3
86034	Green	655	520	570	6.3

\*Optional cylinder lock

## BAWER PLASTIC SPILL KIT BOX

Bawer Plastic Spill Kit Box including seal, pull out drawer, stop lid chain and pull out tray for collecting liquids. Yellow in colour but also available in black, red or green on demand.



Code	Dimensions			Weight kg	Load Capacity
	L	H	D		
E0 151 SPILL	500	365	400	3.9	BOTTLE HOLDER

## BAWER PLASTIC SAND AND SALT BOX

Bawer Plastic Sand and Salt Box with seal. Red in colour but also available in black, yellow or green on demand.



Code	Dimensions			Weight kg	Load Capacity	Handles
	L	H	D			
E0 200 - SAND	600	460	425	4.8	45	1
E0 250 - SAND	800	460	500	7.3	50	2

# OIL & CHEMICAL SPILL KITS

Oil or Chemical Spill Kits - Kits can be configured to Specific Requirements



## 50 Litre SPILL KIT

**EXAMPLE:** 46 - 56 Litres Absorbancy Contents

25 x	Pads	40 x 52cm
4 x	Socks	125 x 7.5cm
1 x	Cushions	55 x 35 x 10cm
1 x	Dammit Slab	
1 x	Gloves	
1 x	Goggles	
1 x	Disposable bag and tie	

## 30 Litre SPILL KIT

**EXAMPLE:** 29 - 35 Litres Absorbancy Contents

20 x	Pads	40 x 52cm
3 x	Socks	125 x 7.5cm
1 x	Cushions	55 x 35 x 10cm
1 x	Dammit Slab	
1 x	Gloves	
1 x	Goggles	
1 x	Disposable bag and tie	

# ADR BAGS

A.D.R. Bags for storing Safety Equipment in the Cab



Code

Dimensions mm

L H D

BC95090

470 x 475 x 250

Code

Dimensions mm

L H D

BC95088

450 x 400 x 195