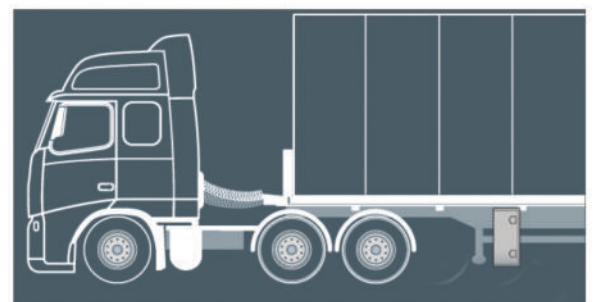
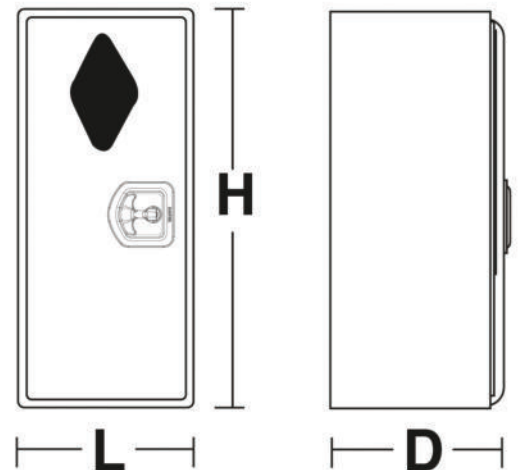
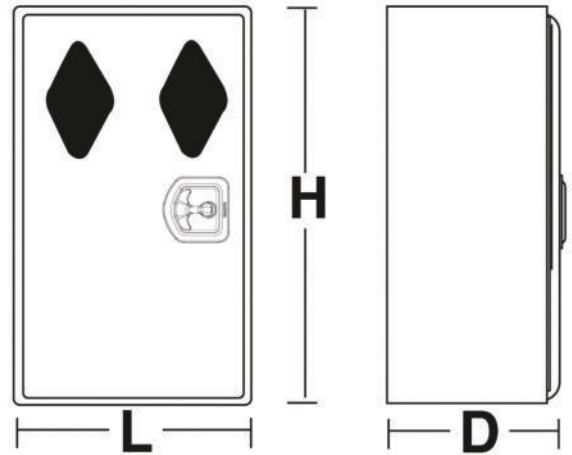


# POLISHED STAINLESS STEEL FIRE EXTINGUISHER BOX

Polished Stainless Steel Fire Extinguisher Box - Mechanical and Corrosion Resistant - Euroinox Locks - Single or Double size

These Fire Extinguisher boxes are approved as lateral protection devices (LPD).  
 These products show the approval number on the side of the boxes. The approval number for the toolboxes is:

E11 73R-011107



Code	Fire Extinguisher Dia size (mm)	Dimensions mm			Weight kg	Capacity kg
		L	H	D		
V6540	160 to 180	300	700	300	12.7	6 or 9
V6550	160 to 180	470	700	300	16.7	6 or 9

# BLACK POWDER COATED SUPPORT BRACKETS

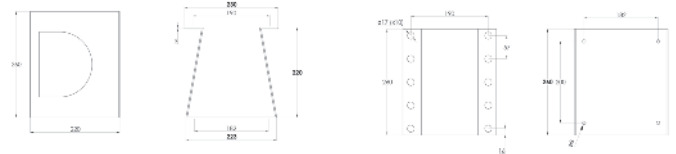
Black Powder Coated - Suitable for all our 6/9 & 12 kg Polypropylene Fire Extinguisher Boxes



All Extinguisher boxes are approved as lateral protection devices (LPD).  
The approval number for the toolboxes is: (E11) 73R-11168

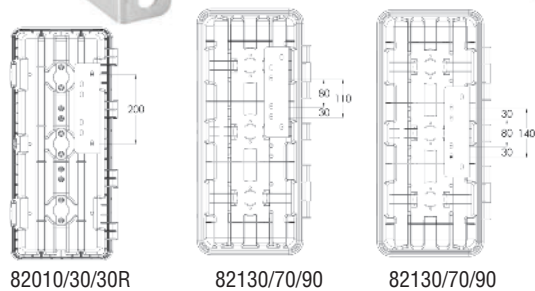


Code	Finish	Dimensions mm			Weight kg
		L	H	D	
88040	Black Powder Coated	230	x 260	x 220	3.6

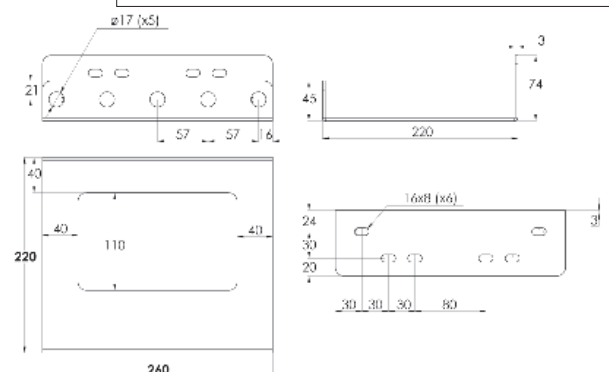
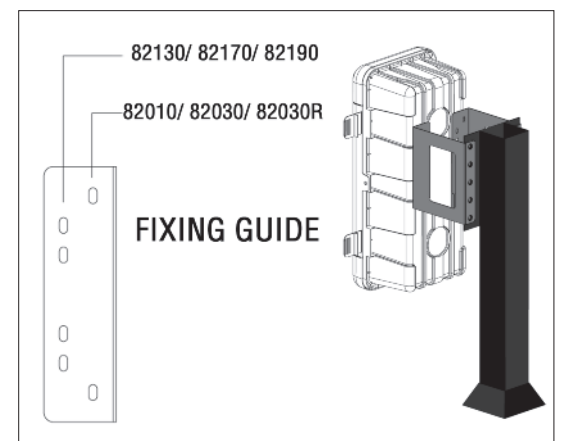


# GALVANISED & ZINC PLATED SUPPORT BRACKETS

Galvanised or Zinc Plated Brackets - Suitable for all our 6/9 & 12 kg Polypropylene Fire Extinguisher Boxes

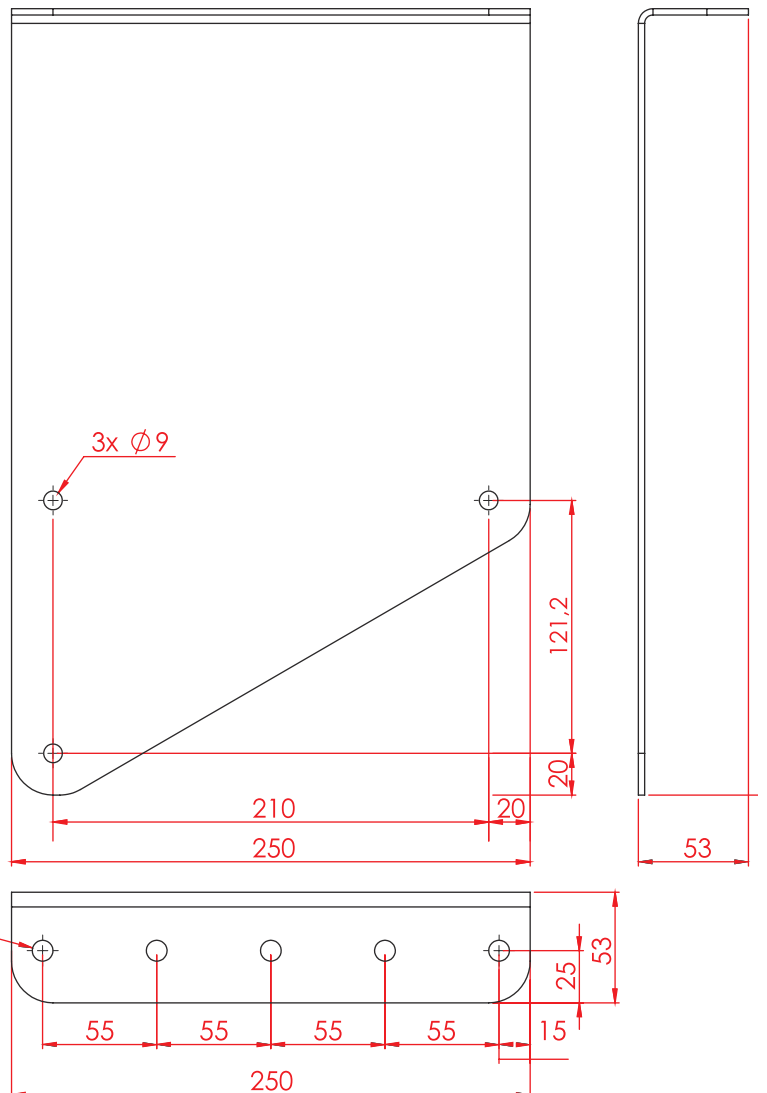
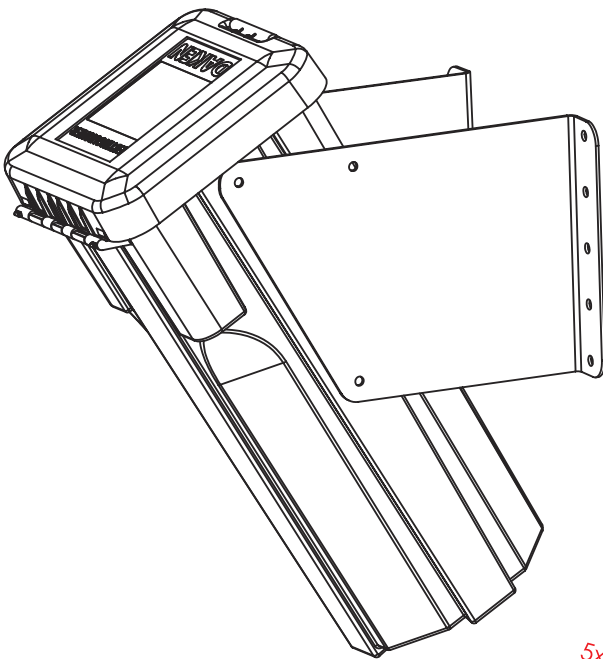
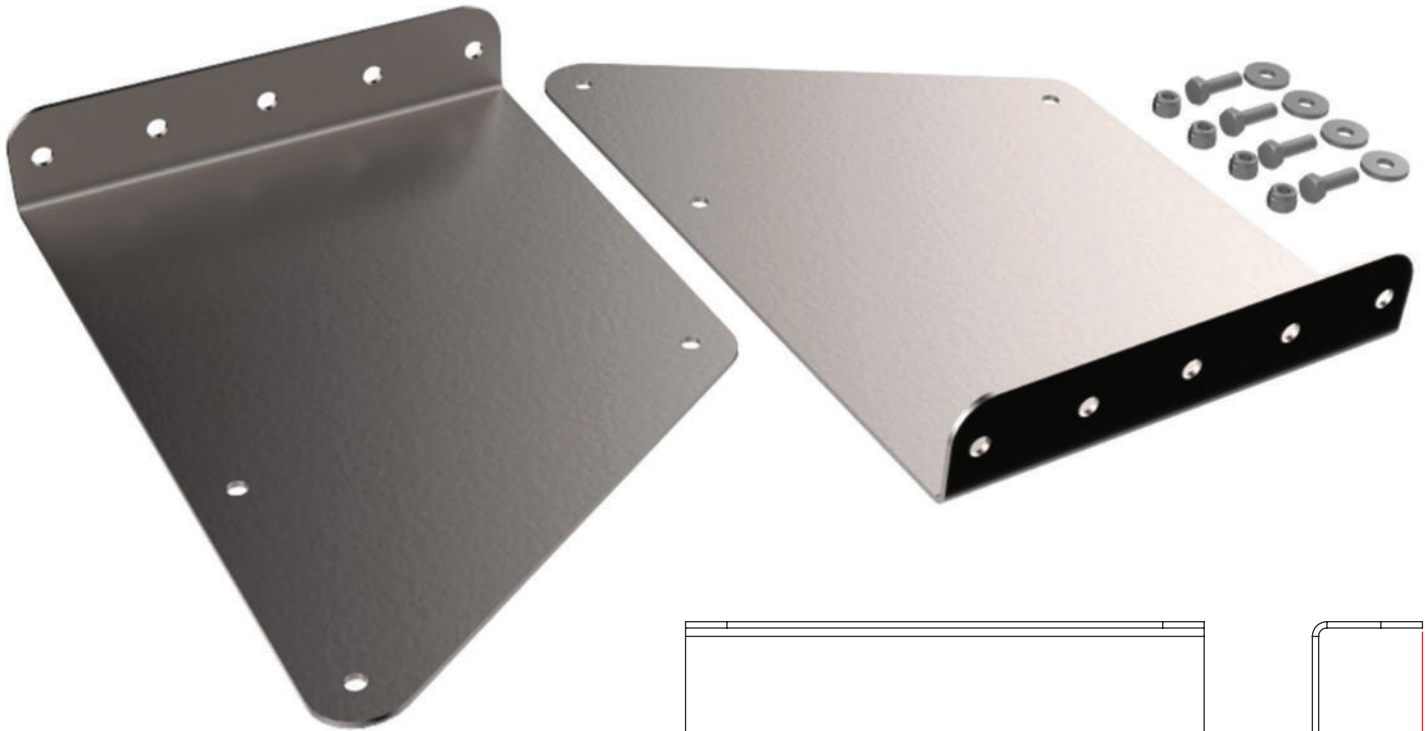


Code	Finish	Dimensions mm			Weight kg
		L	H	D	
82010/30/30R					
82130/70/90					
82130/70/90					
Code	Finish	Dimensions mm			Weight kg
		L	H	D	
88041	Galvanised	220	x 260	x 74	3.0
88042	Zinc Plated	220	x 260	x 74	3.0



# HOT GALVANISED STEEL BOX SUPPORT BRACKETS

Hot galvanized steel brackets with GEOMET coated fixing kit for Top Loading Fire Extinguisher Box



Code	Dimensions mm		Weight kg
	H	W	
88532	250	53	4.5