

SLIDEN 6.9/12kg FIRE EXTINGUISHER BOXES

Injection Moulded Polypropylene resin - High impact resistance to stress or breakage - Resistant to Weather - UV rays - Water



82410/82420
with inspection window

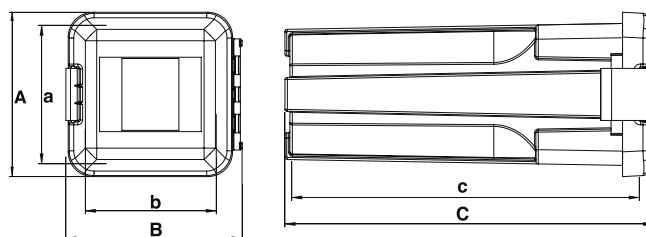
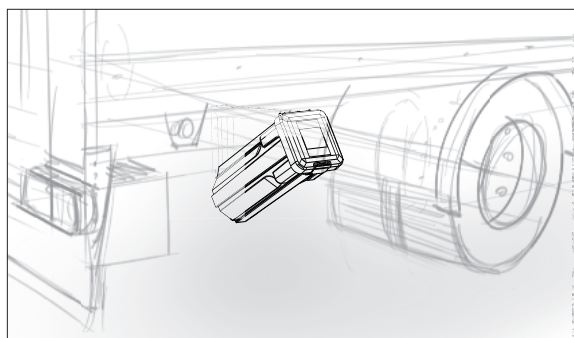
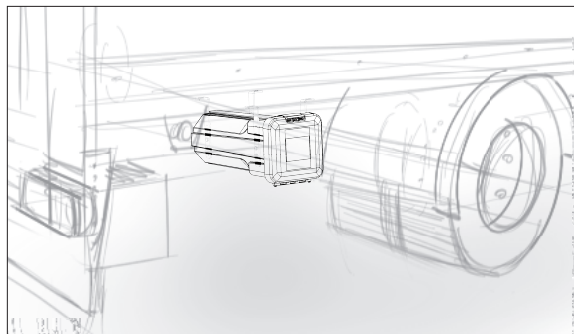


82411/21



82412/82422

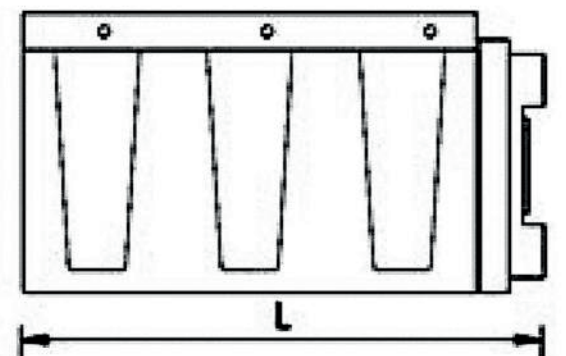
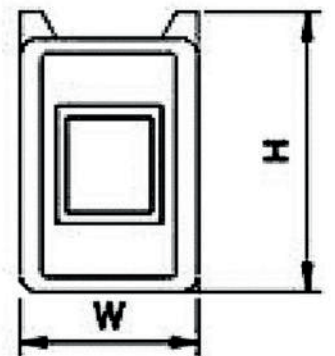
All Extinguisher boxes are approved as lateral protection devices (LPD).
The approval number for the toolboxes is: E11 73R-11168



Code	Colour	Fire Extinguisher	Dimensions mm			Weight kg	Capacity kg
			L	H	D		
82410*	Red	140 to 160	265	284	595	2.1	6
82411	Black	140 to 160	265	284	595	2.1	6
82412	Red	140 to 160	265	284	595	2.1	6
82420*	Red	9/12kgs	309	324	750	3.2	9/12
82421	Black	9/12kgs	309	324	750	3.2	9/12
82422	Red	9/12kgs	309	324	750	3.2	9/12

TOP LOADING FIRE EXTINGUISHER BOX

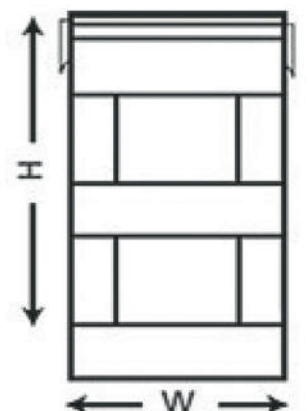
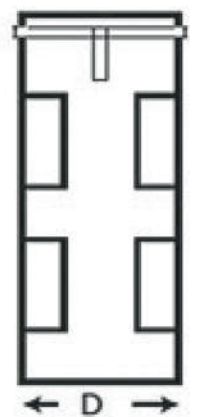
Red Top Loading Fire Extinguisher Box - High impact resistance to stress or breakage - Waterproof Seal



Code	Fire Extinguisher Dia size (mm)	Dimensions mm			Weight kg	Capacity kg
		L	H	D		
BJB24E	150 to 170	735	290	290	3.0	6 or 9

FIRE EXTINGUISHER BOX with UNIVERSAL FIXING KIT

Red Top Loading Fire Extinguisher Box - High impact resistance to stress or breakage - Waterproof Seal and Universal Fixing Kit with JS500 Anit-Corrosion Protection



Code	Fire Extinguisher Dia size (mm)	Dimensions mm			Weight kg	Capacity kg
		L	H	D		
BJB20EF	150 to 170	510	280	220	3.0	6 or 9