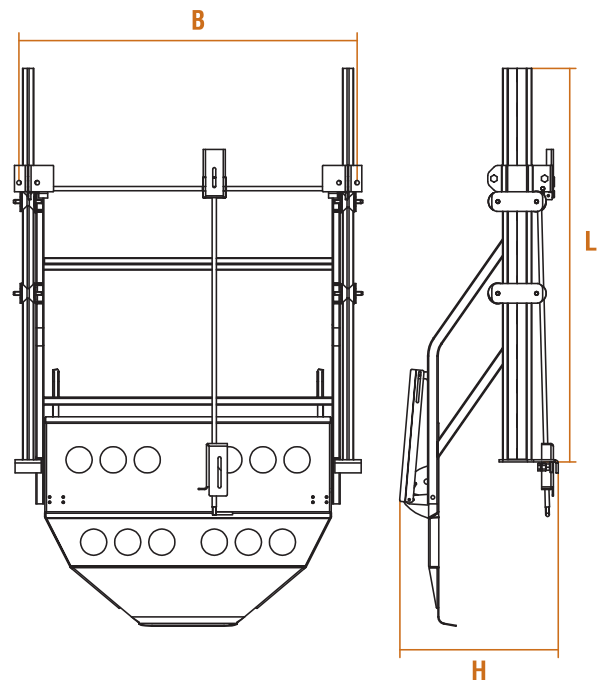


WHEEL EASY WHEEL CARRIER

Wheel Easy Wheel Carrier - Stainless Steel - Pull-out Wheel Holder - Fitted Rollers and Gas Springs for easy operation - Spring Locks and Top Blocking System for Anti-Theft and Accident Prevention



Code	Dimensions mm			Weight kg
	L	B	H	
TK3540	1500	1289	604	89

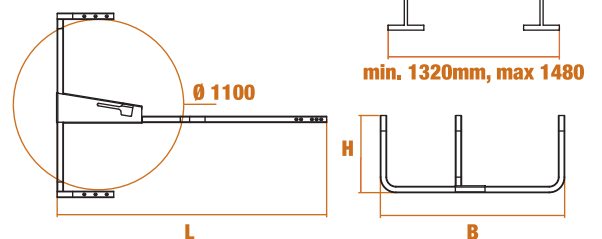
FIXED SINGLE WHEEL CARRIER

Single Fixed Wheel Carrier - Zinc-Nickel coating



Shown with Wheel and Fixing Pin

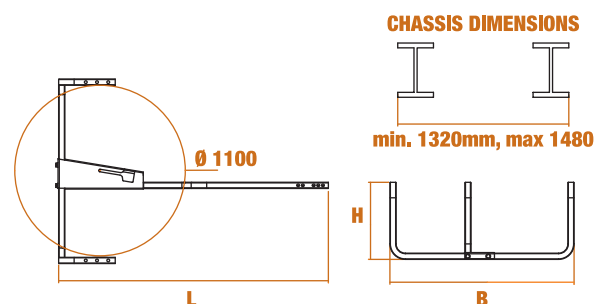
CHASSIS DIMENSIONS



Code	Dimensions mm			Weight kg
	L	B	H	
TK3510	1740	1190	498	17.48

DISASSEMBLED SINGLE FIXED WHEEL CARRIER

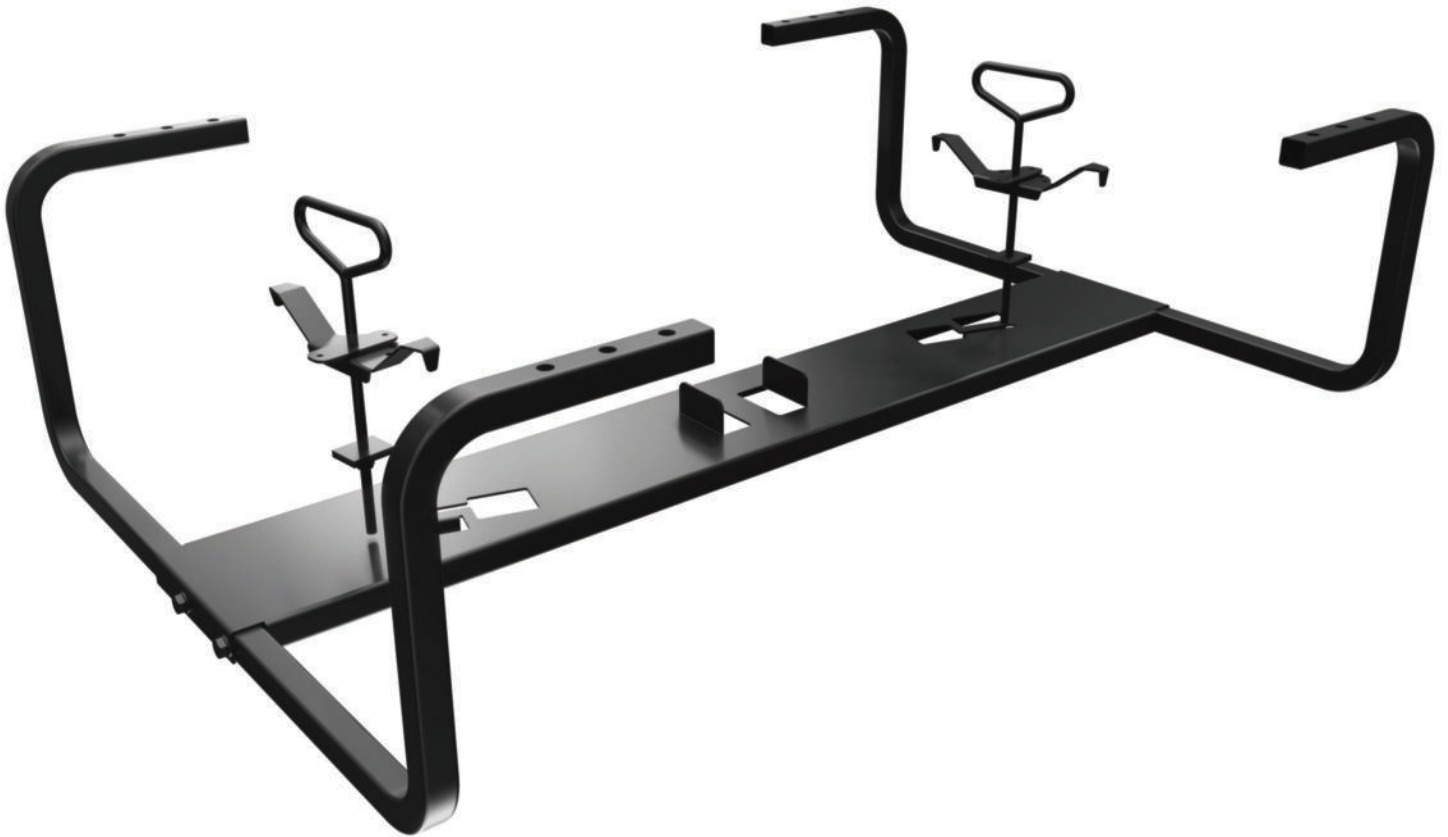
Single Wheel disassembled carrier - Zinc-Nickel coating



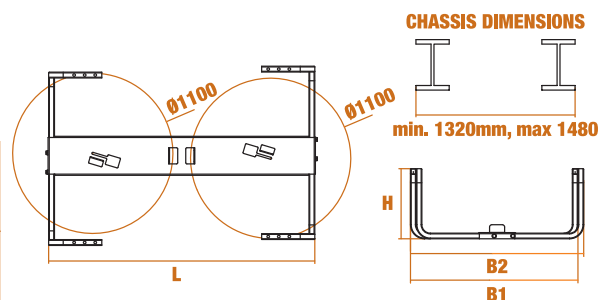
Code	Dimensions mm			Weight kg
	L	B	H	
TK3520	1740	1190	498	17.48

DISASSEMBLED DOUBLE FIXED WHEEL CARRIER

Double Wheel disassembled carrier - Zinc-Nickel coating



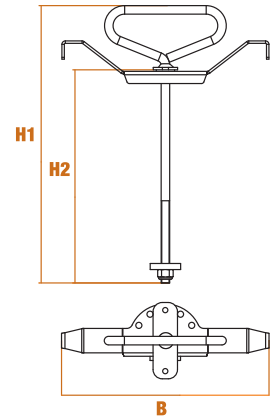
Shown with Wheels and Fixing Pins



Code	Dimensions mm			Weight kg
	L	B	H	
TK3530	1836	1190	498	17.48

SUPPORT FOR FIXED WHEEL 255H

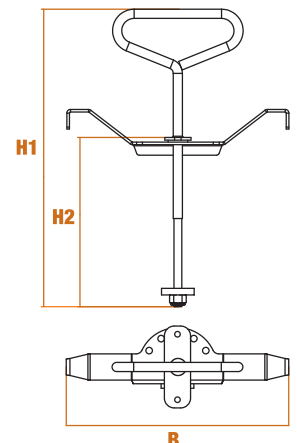
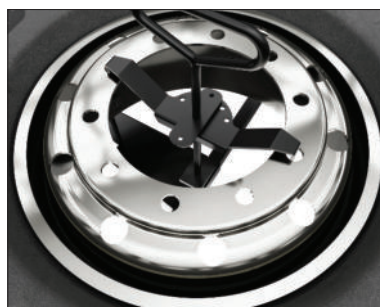
Black Zinc Plated support - Fits 255H Wheel



Code	Dimensions mm			Weight kg
	B	H1	H2	
TK3550	340	455	350	2.043

SUPPORT FOR FIXED WHEEL 350H

Black Zinc Plated support - Fits 350H Wheel



Code	Dimensions mm			Weight kg
	B	H1	H2	
TK3555	340	455	255	2.02