

STRAIGHT WINGSTAY WITH PLUG

Straight Wingstay Open Ended Black Powder Coated

Straight Wingstay Single Bolt Fitting Direct to Chassis Black Powder Coated



Code	Dimensions mm	
	L	Ø
DK8010	580	42
DK8012	800	42

Code	Dimensions mm	
	L	Ø
DK8020	580	42
DK8022	800	42

STRAIGHT WINGSTAY WITH PLUG

Straight Wingstay 3 Hole Attachment Black Powder Coated

Straight Wingstay Single Bolt Fitting Direct to Chassis Black Powder Coated



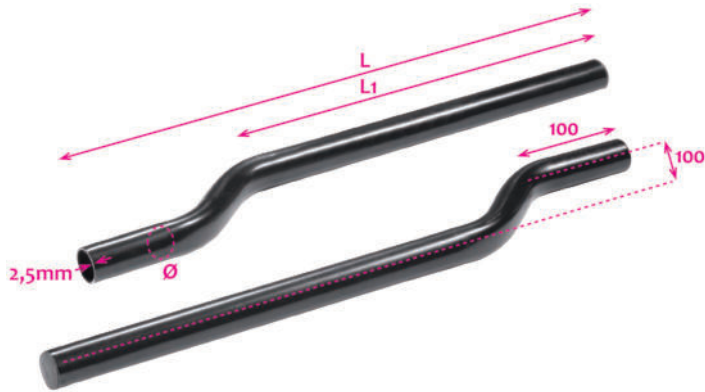
Code	Dimensions mm	
	L	Ø
DK8030	580	42
DK8032	800	42

Code	Dimensions mm	
	L	Ø
DK8060	580	42
DK8062	800	42

CURVED WINGSTAY WITH PLUG

Curved Wingstay Open Ended Black Powder Coated

Curved Wingstay Single Bolt Fitting Direct to Chassis Black Powder Coated



Code	Dimensions mm		
	L	L1	Ø
DK8014	580	310	42
DK8016	800	530	42

Code	Dimensions mm		
	L	L1	Ø
DK8024	580	310	42
DK8026	800	530	42

CURVED WINGSTAY WITH PLUG

Curved Wingstay 3 Hole Attachment Black Powder Coated

Curved Wingstay Single Bolt Fitting Direct to Chassis Black Powder Coated

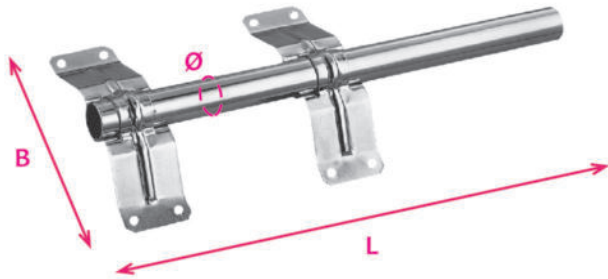


Code	Dimensions mm		
	L	L1	Ø
DK8034	580	310	42
DK8036	800	530	42

Code	Dimensions mm		
	L	L1	Ø
DK8064	580	310	42
DK8066	800	530	42

ADJUSTABLE SUPPORT

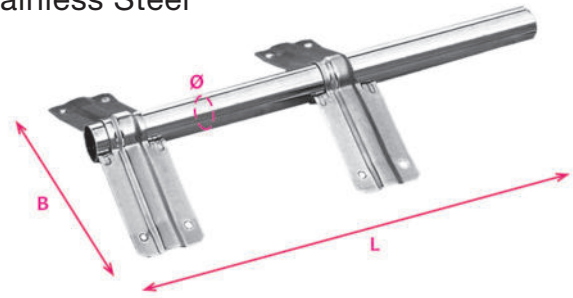
Adjustable Support Steel, Zinc Plated or Stainless Steel



Code	Type	Dimensions mm		
		B	L	Ø
DK8310	STEEL	240	600	42
DK8312	ZINC PLATED	240	600	42
DK8314	STAINLESS STEEL	240	600	42

ADJUSTABLE SUPPORT

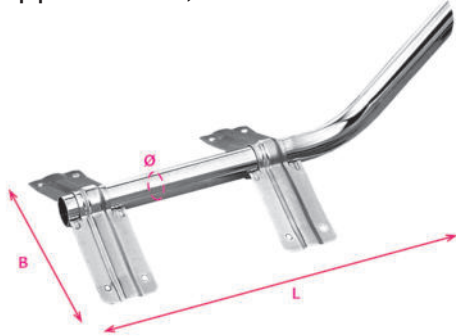
Adjustable Support Steel, Zinc Plated or Stainless Steel



Code	Type	Dimensions mm		
		B	L	Ø
DK8316	STEEL	410	740	54
DK8318	ZINC PLATED	410	740	54
DK8320	STAINLESS STEEL	410	740	54

CURVED SUPPORT

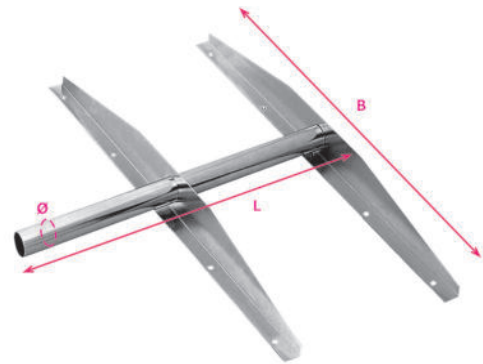
Curved Support Steel, Zinc Plated or Stainless Steel



Code	Type	Dimensions mm		
		B	L	Ø
DK8322	STEEL	410	800	54
DK8324	ZINC PLATED	410	800	54
DK8326	STAINLESS STEEL	410	800	54

CENTRAL MUDGUARD STAY

Central Stay Zinc Plated



Code	Type	Dimensions mm		
		B	L	Ø
DK8328	ZINC PLATED	1000	740	54

STAINLESS STEEL WING STAY

Wingstay Single Bolt Fitting Direct to Chassis
Stainless Steel



Code	Type	Dimensions mm		
		B	L	Ø
DL802001	STRAIGHT	100	555	42
DL802400	CRANKED	100	580	42
DL802606	CRANKED	100	800	42

ZINC PLATED WING STAY

Wingstay Single Bolt Fitting Direct to Chassis
Zinc Plated



Code	Type	Dimensions mm		
		B	L	Ø
DL802401	CRANKED	150	580	34
DL802602	CRANKED	150	700	34

BLACK STEEL ADJUSTABLE MUDGUARD SUPPORT

Adjustable Support Black Steel



BLACK STEEL ADJUSTABLE SUPPORT

Code	Dimensions mm		
	L	H	Ø
DK8115	330	90	42

PLASTIC ADJUSTABLE MUDGUARD SUPPORT

Adjustable Support Plastic

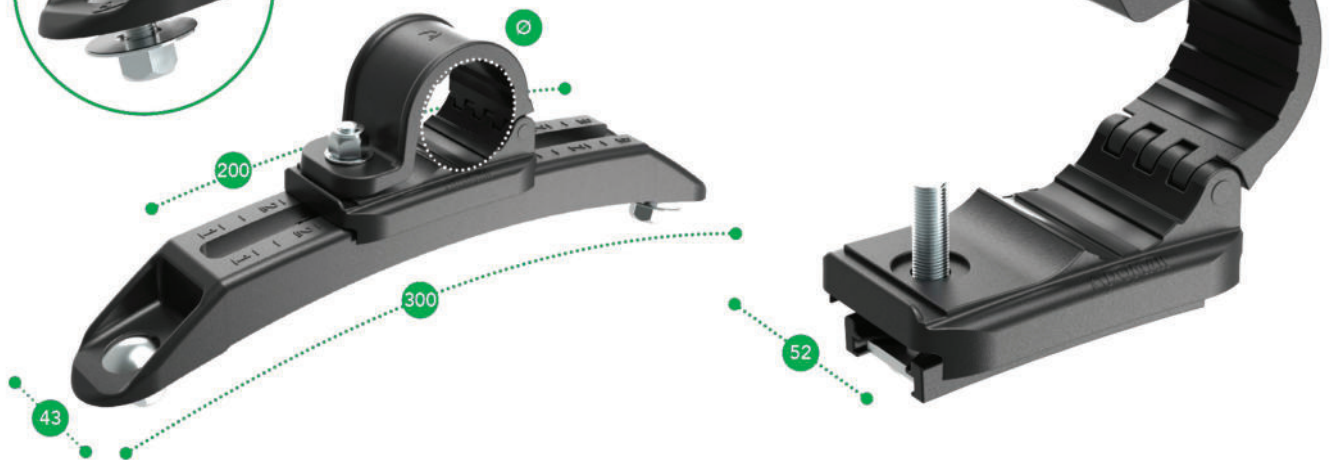


PLASTIC ADJUSTABLE MUDGUARD SUPPORT

Code	Dimensions mm	
	L	Ø
DK8125	355	42
DK8130	355	54

ADJUSTABLE BRACKET MUDGUARD SUPPORTS

Adjustable plastic bracket for mudguard with clasp. Lightweight plastic construction.



Code	Dimensions Ø To suit stay diameter
DK8143	33mm
DK8148	42mm
DK8153	48mm
DK8158	54mm



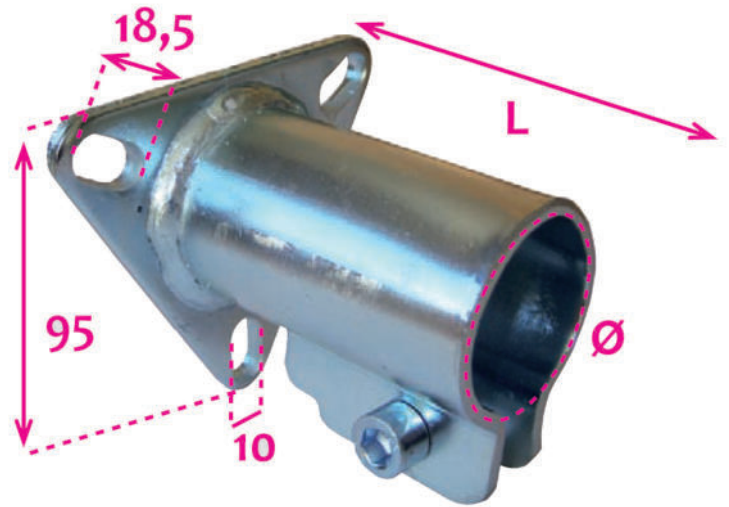
PLASTIC SUPPORT

Plastic 3-Hole Fitting Direct to Chassis for 42mm Wingstay



ZINC PLATED SUPPORT

Zinc Plated 3-Hole Fitting Direct to Chassis for 42mm Wingstay

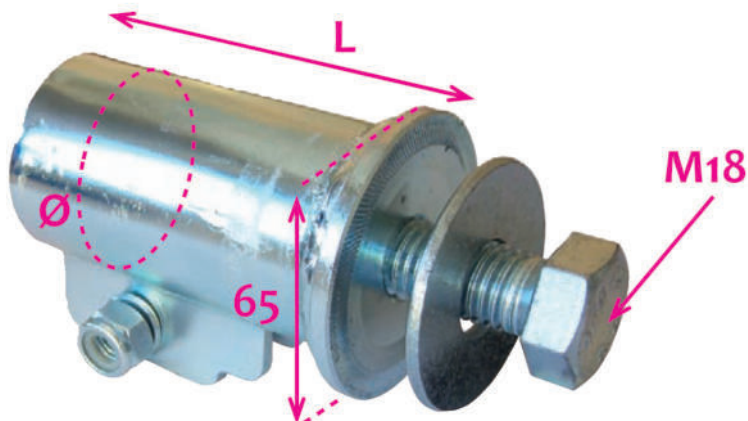


Code	Dimensions mm	
	L	Ø
DK8210	100	42

Code	Dimensions mm	
	L	Ø
DK8215	100	42

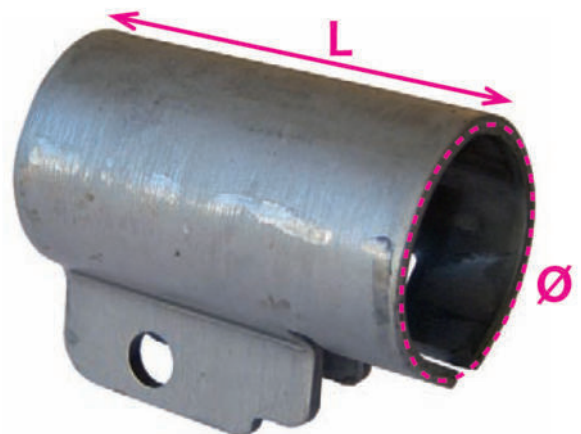
ZINC PLATED SUPPORT

Zinc Plated Single Bolt Support Socket for 42mm Wingstay



STEEL COUPLING

Bare Steel Weld on Support Socket for 42mm Wingstay

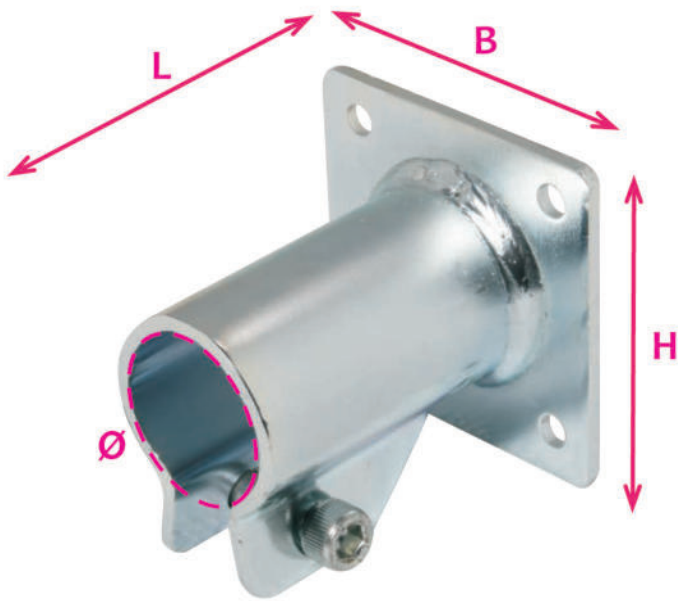


Code	Dimensions mm	
	L	Ø
DK8220	100	42

Code	Dimensions mm	
	L	Ø
DK8225	95	42

TUBE BRACKET

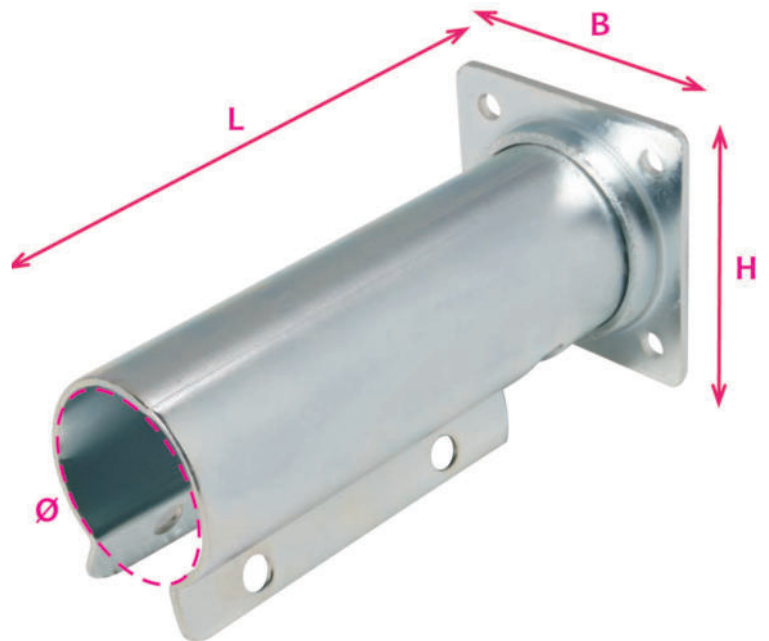
Zinc Plated Wingstay Support Socket for 42mm Wingstay



Code	Dimensions mm			
	B	H	L	Ø
DK8216	90	90	95	42

MUDGUARD TUBE BRACKET

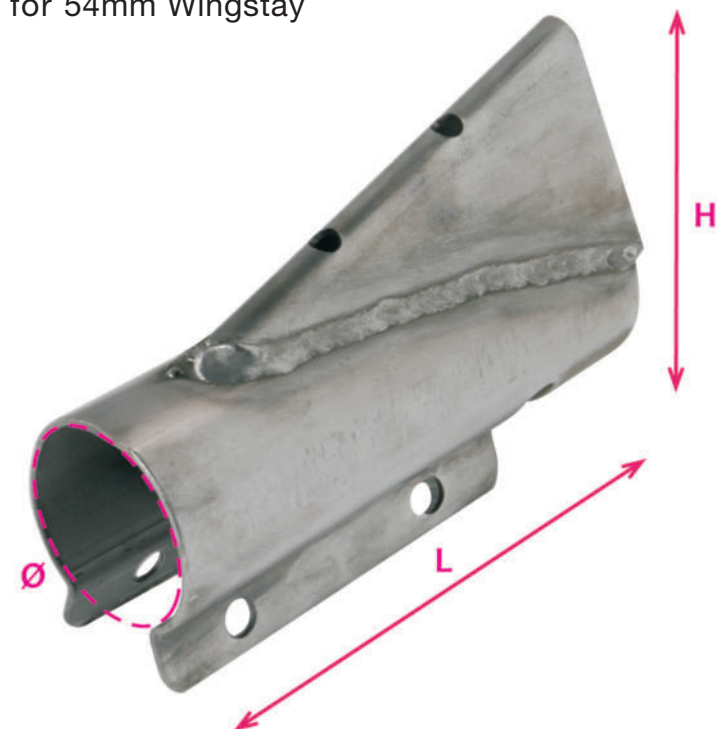
Zinc Plated Wingstay Support Socket for 54mm Wingstay



Code	Dimensions mm			
	B	H	L	Ø
DK8230	90	90	195	54

REINFORCED TUBE SUPPORT

Bare Steel Weld on Wingstay Support Socket for 54mm Wingstay



Code	Dimensions mm		
	L	H	Ø
DK8234	190	130	54

TUBE CAP

Rubber Tube Caps



Code	Dimensions mm	
	L	Ø
DK8410	24	42
DK8420	24	54