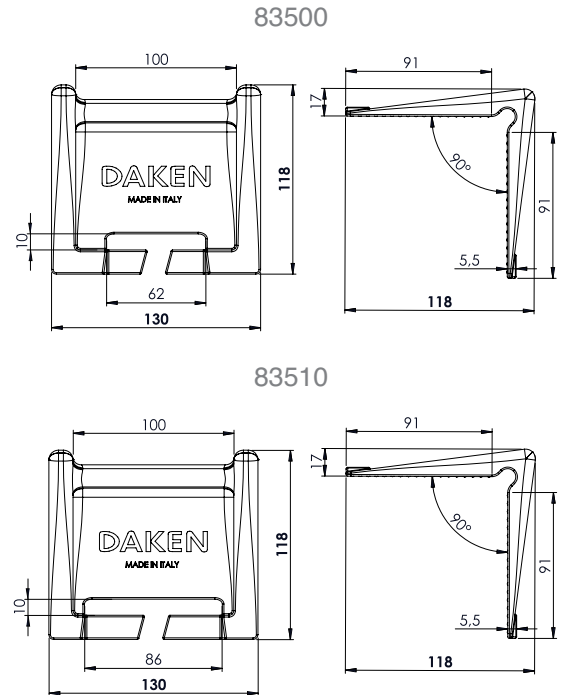


## 90° CORNER PROTECTOR

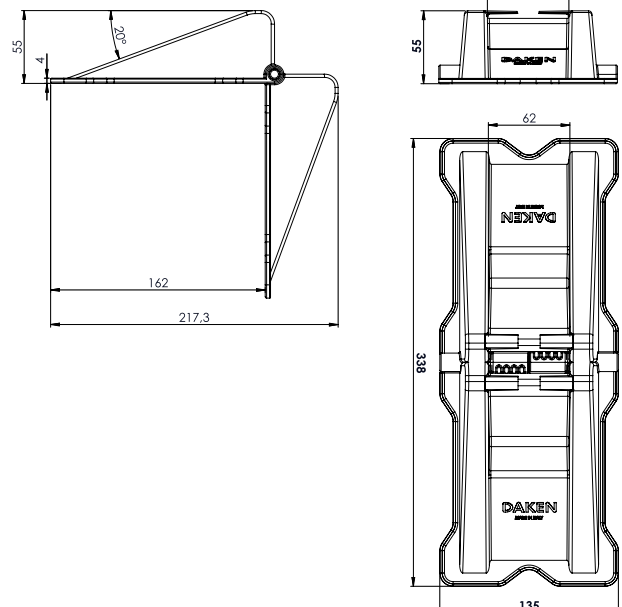
Corner protector in polypropylene for tie down straps - 90° angle, suitable for load protection.  
2 versions - load strap maximum width 60 mm or 85 mm - Reinforced structure - Antislip



Code	Belt Width	Dimensions mm			Weight kg
		L	H	D	
83500	60	130	118	118	0.07
83510	85	130	118	118	0.07

## 90°-180° CORNER PROTECTOR

Corner protector in polypropylene for tie down straps - adjustable opening 90° to 180°  
Suitable for load strap with maximum width 60 mm - Grid structure with reinforcing ribs



Code	Belt Width	Dimensions mm			Weight kg
		L	H	D	
83520	60	135	55	338	0.31