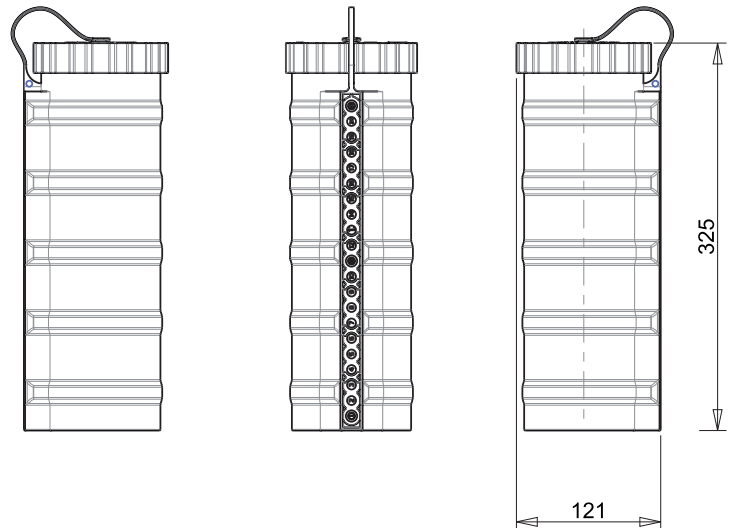


PLASTIC CYLINDER DOCUMENT HOLDER

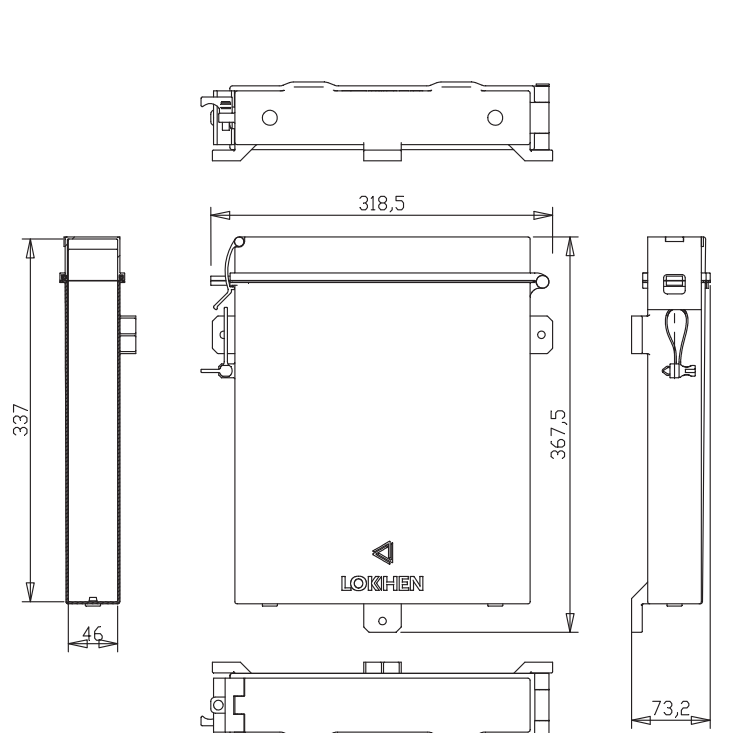
Document Cylinder Holder - Hermetic seal - Flexible fixing - Stiffening ribs - Anti-scratch finish



Code	Dimensions mm		Weight
	L	Ø	
LKDH-ROLL	325	121	0.5

PLASTIC SIDE OPENING DOCUMENT HOLDER

Document Holder - Side opening - Hermetic seal - Double closing system with pin - Anti-scratch finish



Code	Dimensions mm			Weight
	L	H	D	
LKDH-RIGHT	318.5	367.5	73.2	0.52